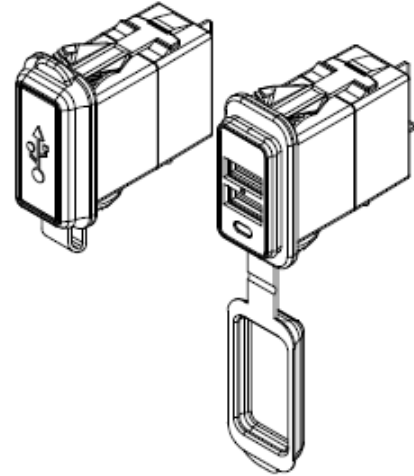


Type A13-208 USB Socket

Specifications:

- Rating: 12V-24V DC
- Output: 2 Port USB 5V-2.4A/2.4A
- Contact Resistance: 50m ohm Max.
- Insulation Resistance: DC 500V 100M ohm Min.
- Operation Temperature: -20°C ~ +45°C
- Storage Temperature: -20°C ~ +60°C
- Material:
 - Frame: Black Nylon 66 (94V-2)
 - Terminals: Nickle Plated Brass
 - Water proof sealing cap
 - Sealed: Standard switch provides to IP64



Mechanical Dimensions: Inches [mm]

