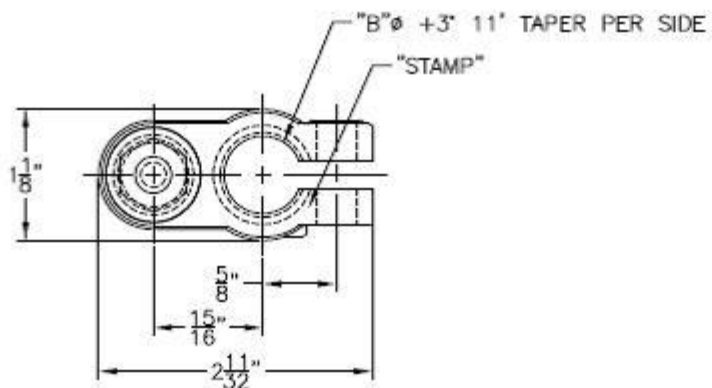


NO.	DATE	REVISION	DR	CK	APP
1	5/1/09	ADDED TOLERANCE	DTF		

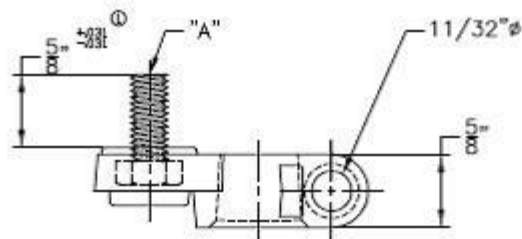


PROPERTY OF
EAST PENN MANUFACTURING CO., INC.

This print or drawing is confidential and it or any copies thereof shall be returned upon request. It is not to be copied, reproduced or exhibited to outside parties, but is to be used only with reference to apparatus, contracts or proposals of this corporation. Anything disclosed herein, not publicly available, may not be used without written permission.

NOTES:

1. MAT'L - LEAD ALLOY
2. FOR PART DESIGN PRINT SEE DWG NO. 5100003



POSITIVE	.687	3/8-16 UNC X 3/4" H.H.C.S.	P
UNIVERSAL	.665	5/16-18 UNC X 3/4" H.H.C.S.	U
NEGATIVE	.625	5/16-18 UNC X 3/4" H.H.C.S.	N
TYPE	A	B	STAMP

EPPS\DMR\TCST\INDX.DOC

REFERENCE DOCUMENT NUMBER



WAYTEK, INC.

800-328-2724
www.waytekwire.com
sales@waytekwire.com

DO NOT SCALE WORK
TO GIVEN DIMENSIONS
TOLERANCE UNLESS
OTHERWISE SPECIFIED
.000 DECIMALS $\pm .005$
.00 DECIMALS $\pm .01$
FRACTIONS $\pm 1/64$
ANGLES $\pm 1/2^\circ$

TITLE
862L MARINE TERMINAL
OUTLINE DRAWING

DRAWN: CLM DATE: 11/8/06 SCALE: N.T.S. NON/PRJ

CHECKED: CLM DRAWING NO. SHEET 1 OF REV.

APPROVED: CLM 5500140