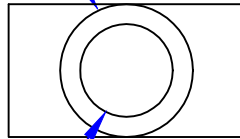
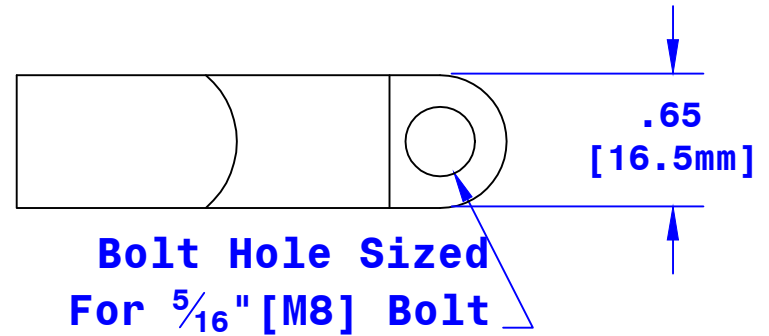
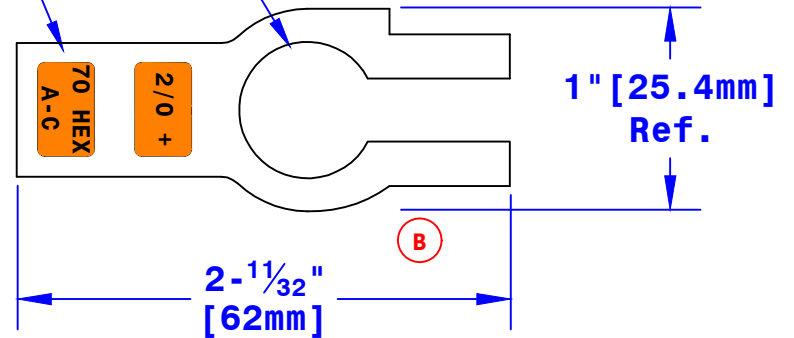


**Positive Post Hole**  
**Crimp Information**

**.65"**  
**[16.5mm]**  
**Dia. Ref**



**I.D. Sized For 2/0**  
**[62mm<sup>2</sup>] Stranded Cable**  
**7/8" [22.2mm] Min Depth**



|   |                |
|---|----------------|
| Property of<br><b>QUICKCABLE</b><br>3700 Quick Drive<br>Franksville, WI 53126<br>U.S.A.<br>www.quickcable.com | TITLE          |
|   | Straight clamp |
|   | PART #         |
|   | <b>3020P</b>   |

**Confidential and Proprietary Information**

|          |          |      |     |   |
|----------|----------|------|-----|---|
| <b>C</b> | 10-28-10 | 2201 | JMH | Removed wording "Max" from dimensions         |
| <b>B</b> | 02-23-09 | 1759 | JMH | Update print; remove one notch; shorten tangs |
| <b>A</b> | 5-25-06  | 1285 | JMH | Added color printing to tangs                 |
| Rev      | Date     | ECN# | By  | Description                                   |

|                                      |                |               |             |
|--------------------------------------|----------------|---------------|-------------|
| Drawn By                             | Date           | Checked By    | Scale       |
| <b>Paul</b>                          | <b>3-31-03</b> | <b>Mike E</b> | <b>None</b> |
| Tolerances, unless otherwise noted   |                |               |             |
| <b>Dimensions are reference only</b> |                |               |             |

|  |                   |          |
|--|-------------------|----------|
| Material & Treatment<br><b>High Conductivity</b><br><b>Copper Alloy</b><br><b>Bright Tin Plate</b> | Drawing #         | REV      |
|  | <b>3020P-Info</b> | <b>C</b> |
| Sheet 1 of 1   |                   |          |