

RENNSTEIG CRIMP DIES AND LOCATOR FOR APEX 2.8 MM TERMINALS

VISUAL AID

CAUTION!

This tool may be used only for the intended application and in strict compliance with all applicable safety rules, regulations and practices. It must be properly maintained, undamaged and in good working order. Unauthorized modification is prohibited and voids the manufacturer's warranty. TERMINALS MAY HAVE SHARP EDGES. USE FINGER PROTECTION TO AVOID CUTS. DO NOT PLACE FINGERS IN TOOL AREAS, WHICH MAY PINCH DURING CRIMP CYCLE. USE SAFETY GLASSES TO AVOID EYE INJURY. Always isolate wires from power supply!

CAUTION!

		FCI P/N	DELPHI P/N	Wire Gauge	Terminal Material	Terminal Plating	PSG Die Set P/N	PSG Locator P/N
FEMALE		54002200	10757691	22	CuTeSn/CuBe	Sn	HT624166630-3	HT6241666001-4
		54001800	10757690	18-20	CuTeSn/CuBe	Sn	HT624166730-3	
		54001400	10762803	14-16	CuTeSn/CuBe	Sn	HT624166730-3	
		54001000	10762802	10-12	CuTeSn/CuBe	Sn	HT624166630-3	
		54002203	15548838	22	CuTeSn/CuBe	NiPdAu	HT624166630-3	
		54001803	15422510	18-20	CuTeSn/CuBe	NiPdAu	HT624166730-3	
		54001403	13681975	14-16	CuTeSn/CuBe	NiPdAu	HT624166730-3	
		54001003	15512740	10-12	CuTeSn/CuBe	NiPdAu	HT624166630-3	

		FCI P/N	DELPHI P/N	Wire Gauge	Terminal Material	Terminal Plating	PSG Die Set P/N	PSG Locator P/N
MALE		54002201	10762776	22	CuTeSn	Sn	HT624166830-3	HT6241668001-4
		54001801	10762775	18-20	CuTeSn	Sn	HT624166930-3	
		54001401	10757692	14-16	CuTeSn	Sn	HT624166930-3	
		54001001	10762774	10-12	CuTeSn	Sn	HT624166830-3	
		54002230	33501642	22	CuTeSn	NiPdAu	HT624166830-3	
		54001818	15435215	18-20	CuTeSn	NiPdAu	HT624166930-3	
		54001441	13681974	14-16	CuTeSn	NiPdAu	HT624166930-3	
		54002229	15520890	22	CuTeSn	NiAu	HT624166830-3	
54001819	15425613	18-20	CuTeSn	NiAu	HT624166930-3			

At Rennsteig, we stay on top of the market. When new connectors come out and gain ground, you can be sure we'll make die sets for them. What does this mean? It means you don't have to invest in a whole new crimp tool. You can just get an additional die set to fit your existing crimp tool, and you're ready to install the latest gear. **TAKE A LOOK AT OUR WEBSITE WWW.RENNSTEIG.US OR WWW.POWERSIGNAL.COM FOR OUR COMPLETE PRODUCT RANGE.**

LIMITATION OF LIABILITY

RENNSTEIG WERKZEUGE GMBH IS NOT LIABLE FOR CONSEQUENTIAL OR SPECIAL DAMAGES OF ANY NATURE OR KIND RESULTING FROM USE, OR MISUSE, OF ANY OF ITS PRODUCTS. OWNERS AND USERS OF RENNSTEIG WERKZEUGE GMBH PRODUCTS ASSUME FULL RESPONSIBILITY FOR INSTRUCTING THEIR EMPLOYEES IN THE PROPER AND SAFE USE OF SUCH PRODUCTS.

PERIODIC INSPECTION PROCEDURE

VISUAL INSPECTIONS SHOULD BE PERFORMED ON THE TOOL BASED ON THE AMOUNT OF USE, WORKING CONDITIONS AND OPERATOR SKILL AND CARE.

- CLEAN TOOL DIE AREA WITH SOLVENT OR BRUSH.
- CHECK CRIMP AREA OF DIES OF DAMAGE.
- IF TOOL JAMS OR LOCKS, CHECK RATCHET FOR DIRT AND LUBRICATION.

CARE OF TOOL

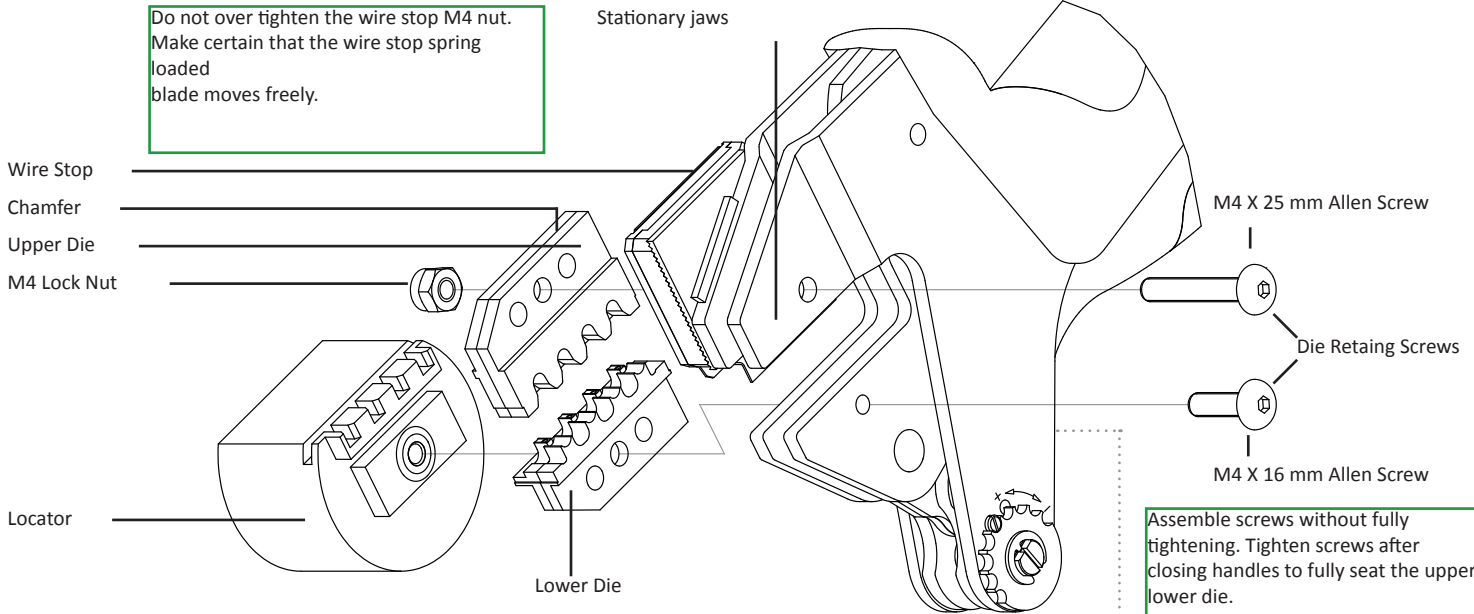
WE STRONGLY RECOMMEND THAT YOU:

- DO NOT IMMERSE TOOLS IN CLEANING SOLUTION.
 - DO NOT SPRAY OIL INTO TOOL TO LUBRICATE.
 - DO NOT ATTEMPT TO DISASSEMBLE TOOL OR MAKE REPAIRS.
- THIS IS A PRECISION HAND CRIMPING TOOL AND SHOULD BE HANDLED AS SUCH.

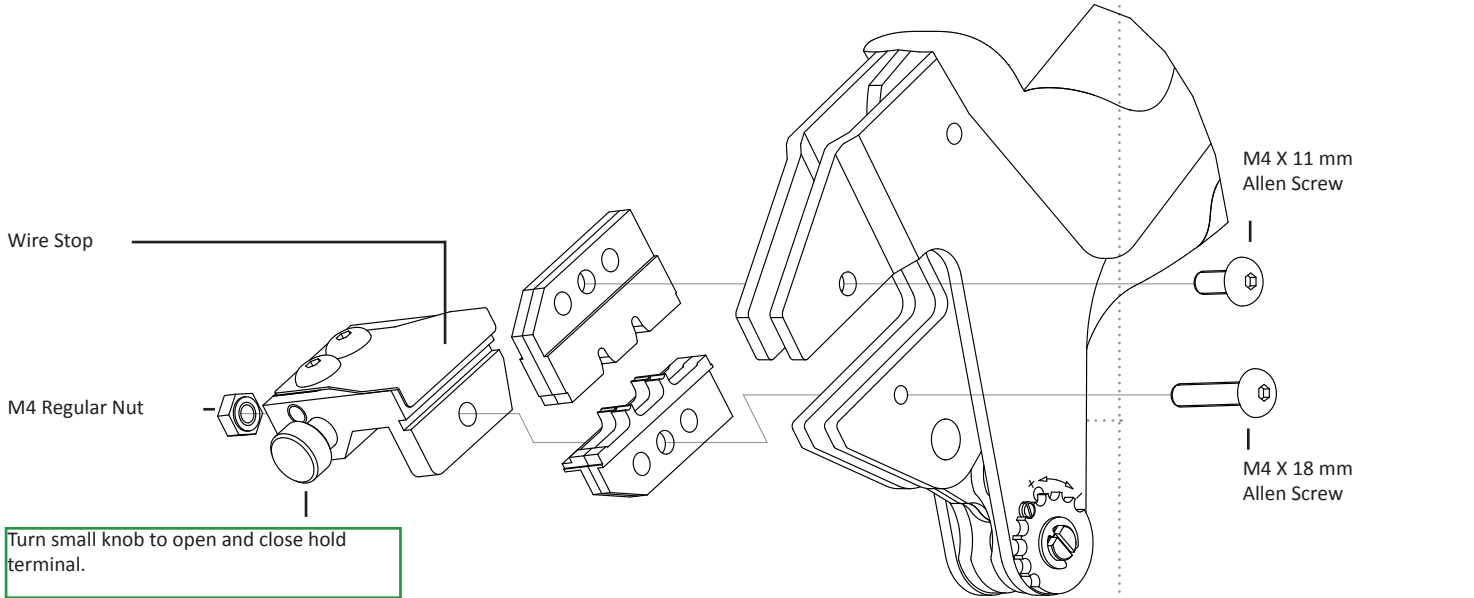
POSSIBLE DIE AND LOCATOR COMBINATIONS

Type 1

Do not over tighten the wire stop M4 nut.
Make certain that the wire stop spring loaded blade moves freely.



Type 2



Type 3

