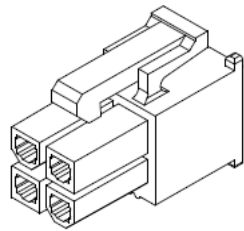
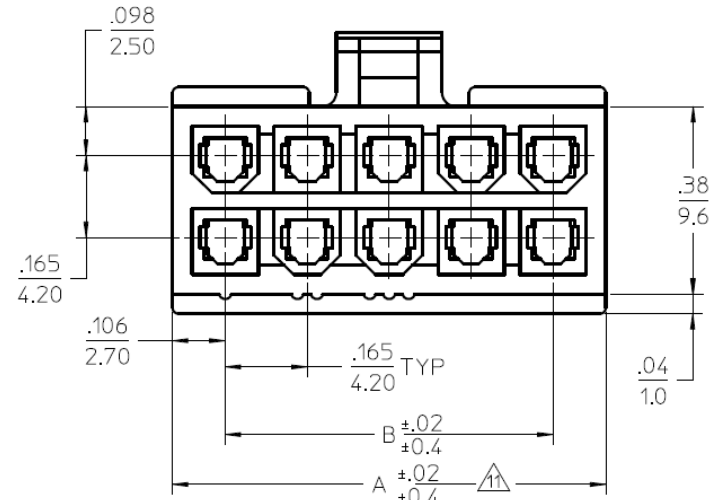
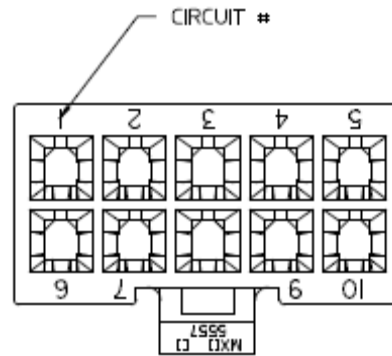


Mini Fit Jr. Receptacle Drawing

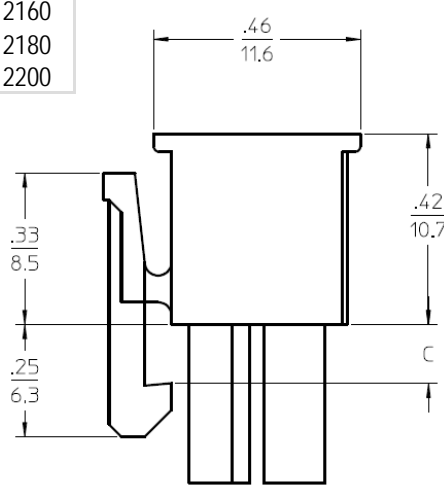
Stock No. 38700-38709
 Mates with: Panel Mount Plugs, Free Hanging Plugs, Vertical Headers Right Angle Headers
 Terminal: 31113

Circuits	Receptacle Stock No.	Molex No.
2 dual row	38700	39012020
4 dual row	38701	39012040
6 dual row	38702	39012060
8 dual row	38703	39012080
10 dual row	38704	39012100
12 dual row	38705	39012120
14 dual row	38706	39012140
16 dual row	38707	39012160
18 dual row	38708	39012180
20 dual row	38709	39012200

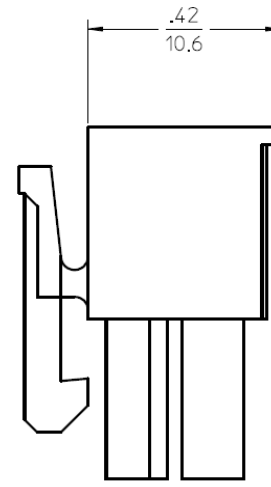


4 CKT SHOWN

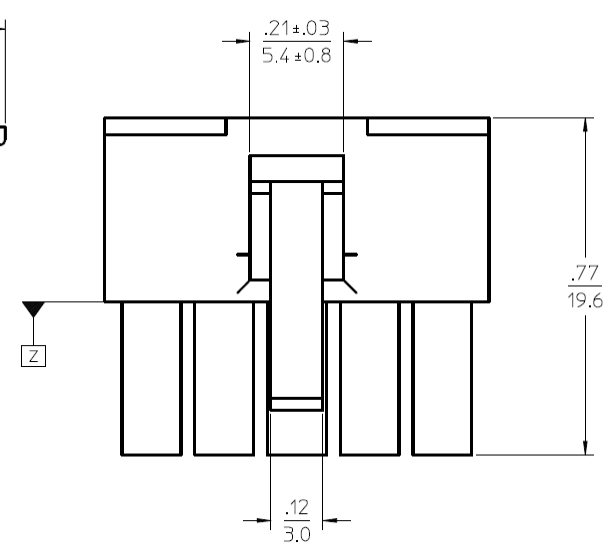
11 To be measured at z.



4-24 Circuit



2 Circuit Only

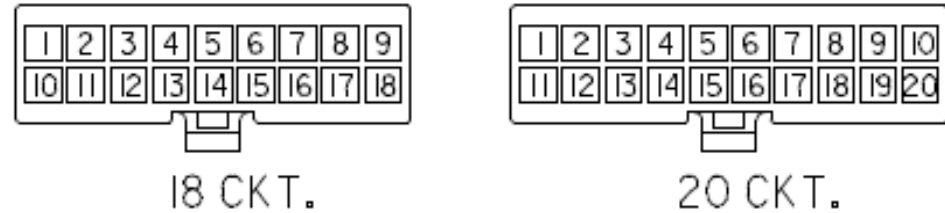
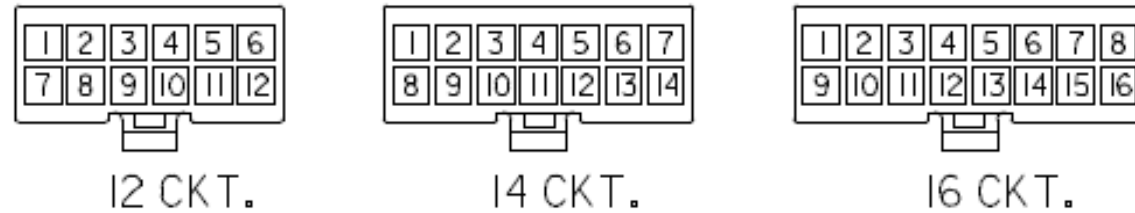
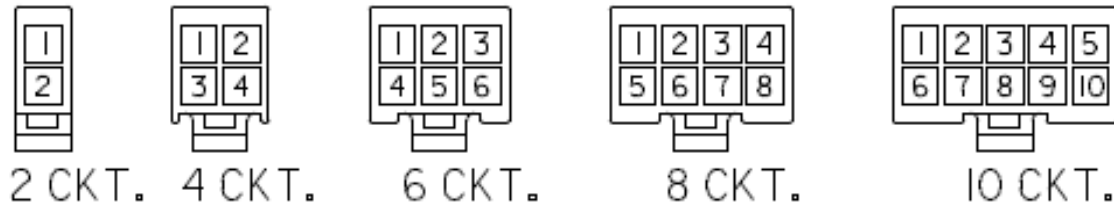


UNCONTROLLED DOCUMENT
 All information provided by manufacturer
 Updated 10/27/2010

Mini Fit Jr. Receptacle Drawing

Stock No. 38700-38709
 Mates with: Panel Mount Plugs, Free Hanging Plugs, Vertical Headers Right Angle Headers
 Terminal: 31113

Circuits	Receptacle Stock No.	Molex No.
2 dual row	38700	39012020
4 dual row	38701	39012040
6 dual row	38702	39012060
8 dual row	38703	39012080
10 dual row	38704	39012100
12 dual row	38705	39012120
14 dual row	38706	39012140
16 dual row	38707	39012160
18 dual row	38708	39012180
20 dual row	38709	39012200



UNCONTROLLED DOCUMENT
 All information provided by manufacturer
 Updated 10/27/2010