

SEALED ASSEMBLY VIEWS
SEE P/N CHART
SHOWN WITH CPA'S

MATING PART NUMBER CHART					
INDEX TYPE	COLOR	FCI P/N'S		CUSTOMER P/N'S	
		SEALED/UNSEALED	FEMALE ASSEMBLY PART NUMBERS	SEALED/UNSEALED	MATING ASSEMBLY PART NUMBER FOR REFERENCE ONLY
D	NATURAL	UNSEALED	54200303N	N/A	54200307
		UNSEALED	54200303	C 56038156	54200307
		UNSEALED	54200310N	N/A	54200315
		SEALED	54200310	C 56038152	54200315
C	DK GREY	UNSEALED	54200302N	N/A	54200306
		UNSEALED	54200302	C 56038155	54200306
		SEALED	54200310N	N/A	54200314
		SEALED	54200310	C 56038151	54200314
B	LT GREY	UNSEALED	54200301N	N/A	54200305
		UNSEALED	54200301	C 56038154	54200305
		SEALED	54200309N	N/A	54200313
		SEALED	54200309	C 56038150	54200313
A	BLACK	UNSEALED	54200300N	N/A	54200304
		UNSEALED	54200300	C 56038153	54200304
		SEALED	54200308N	N/A	54200312
		SEALED	54200308	N/A	54200312
A	DK GRN	UNSEALED	54200308N	N/A	54200312
		SEALED	54200308	C 56038149	54200312
		SEALED	54200308	C 56038149	54200312
		SEALED	54200308	C 56038149	54200312

CUSTOMER: C CHRYSLER
F FORD
GM GENERAL MOTORS
CU CUMMINS

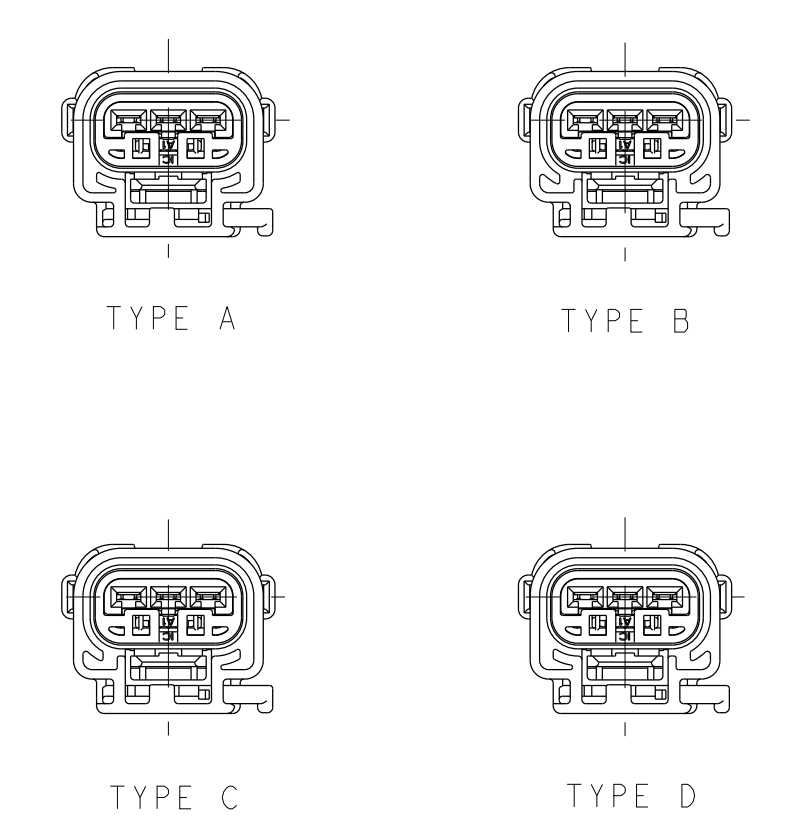
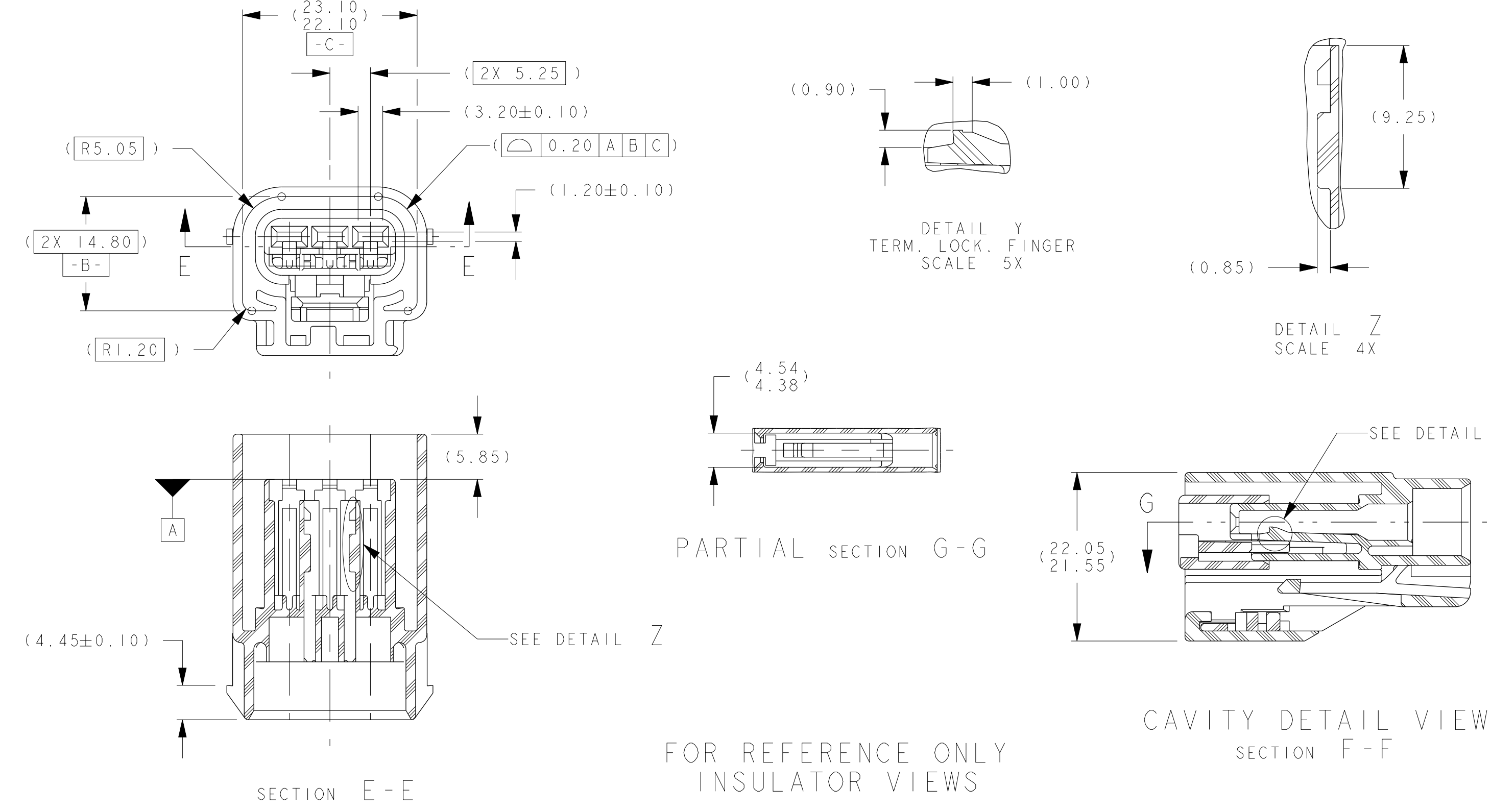
FCI - FRAMATOME CONNECTORS INTERNATIONAL
YNA - YAZAKI NORTH AMERICA

CHART-ASSEMBLY PART NUMBERS		UNSEALED		SEALED	
FCI P/N'S	CUSTOMER P/N'S	W/CPA	W/O CPA	W/CPA	W/O CPA
54200300N					
54200301N					
54200302N					
54200303N					
54200304N					
54200305N					
54200306N					
54200307N					
54200308N					
54200309N					
54200310N					
54200311N					
54200312N					
54200313N					
54200314N					
54200315N					
54200316N					
54200317N					
54200318N					
54200319N					
54200320N					
54200321N					
54200322N					
54200323N					
54200324N					
54200325N					
54200326N					
54200327N					
54200328N					
54200329N					
54200330N					
54200331N					
54200332N					
54200333N					
54200334N					
54200335N					
54200336N					
54200337N					
54200338N					
54200339N					
54200340N					
54200341N					
54200342N					
54200343N					
54200344N					
54200345N					
54200346N					
54200347N					
54200348N					
54200349N					
54200350N					
54200351N					
54200352N					
54200353N					
54200354N					
54200355N					
54200356N					
54200357N					
54200358N					
54200359N					
54200360N					
54200361N					
54200362N					
54200363N					
54200364N					
54200365N					
54200366N					
54200367N					
54200368N					
54200369N					
54200370N					
54200371N					
54200372N					
54200373N					
54200374N					
54200375N					
54200376N					
54200377N					
54200378N					
54200379N					
54200380N					
54200381N					
54200382N					
54200383N					
54200384N					
54200385N					
54200386N					
54200387N					
54200388N					
54200389N					
54200390N					
54200391N					
54200392N					
54200393N					
54200394N					
54200395N					
54200396N					
54200397N					
54200398N					
54200399N					
54200400N					

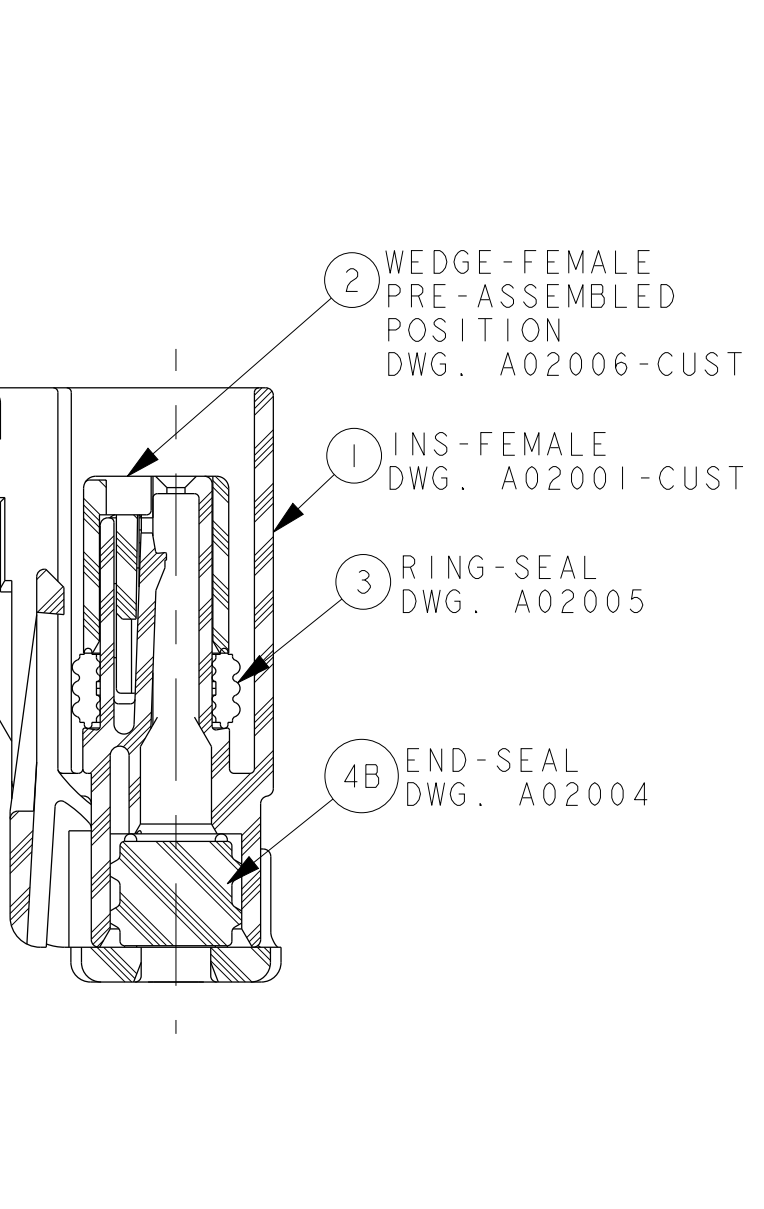
CHART-ASSEMBLY PART NUMBERS		UNSEALED		SEALED	
FCI P/N'S	CUSTOMER P/N'S	W/CPA	W/O CPA	W/CPA	W/O CPA
54200300N					
54200301N					
54200302N					
54200303N					
54200304N					
54200305N					
54200306N					
54200307N					
54200308N					
54200309N					
54200310N					
54200311N					
54200312N					
54200313N					
54200314N					
54200315N					
54200316N					
54200317N					
54200318N					
54200319N					
54200320N					
54200321N					
54200322N					
54200323N					
54200324N					
54200325N					
54200326N					
54200327N					
54200328N					
54200329N					
54200330N					
54200331N					
54200332N					
54200333N					
54200334N					
54200335N					
54200336N					
54200337N					
54200338N					
54200339N					
54200340N					
54200341N					
54200342N					
54200343N					
54200344N					
54200345N					
54200346N					
54200347N					
54200348N					
54200349N					
54200350N					
54200351N					
54200352N					
54200353N					
54200354N					
54200355N					
54200356N					
54200357N					
54200358N					
54200359N					
54200360N					
54200361N					
54200362N					
54200363N					
54200364N					
54200365N					
54200366N					
54200367N					
54200368N					
54200369N					
54200370N					
54200371N					
54200372N					
54200373N					
54200374N					
54200375N					
54200376N					
54200377N					
54200378N					
54200379N					
54200380N					
54200381N					
54200382N					
54200383N					
54200384N					
54200385N					
54200386N					
54200387N					
54200388N					
54200389N					
54200390N					
54200391N					
54200392N					
54200393N					
54200394N					
54200395N					
54200396N					
54200397N					
54200398N					
54200399N					
54200400N					

CONNECTOR ASSEMBLY TEMPERATURE CLASS PER SAE/USCAR-2 REVISION 5 4 4 4

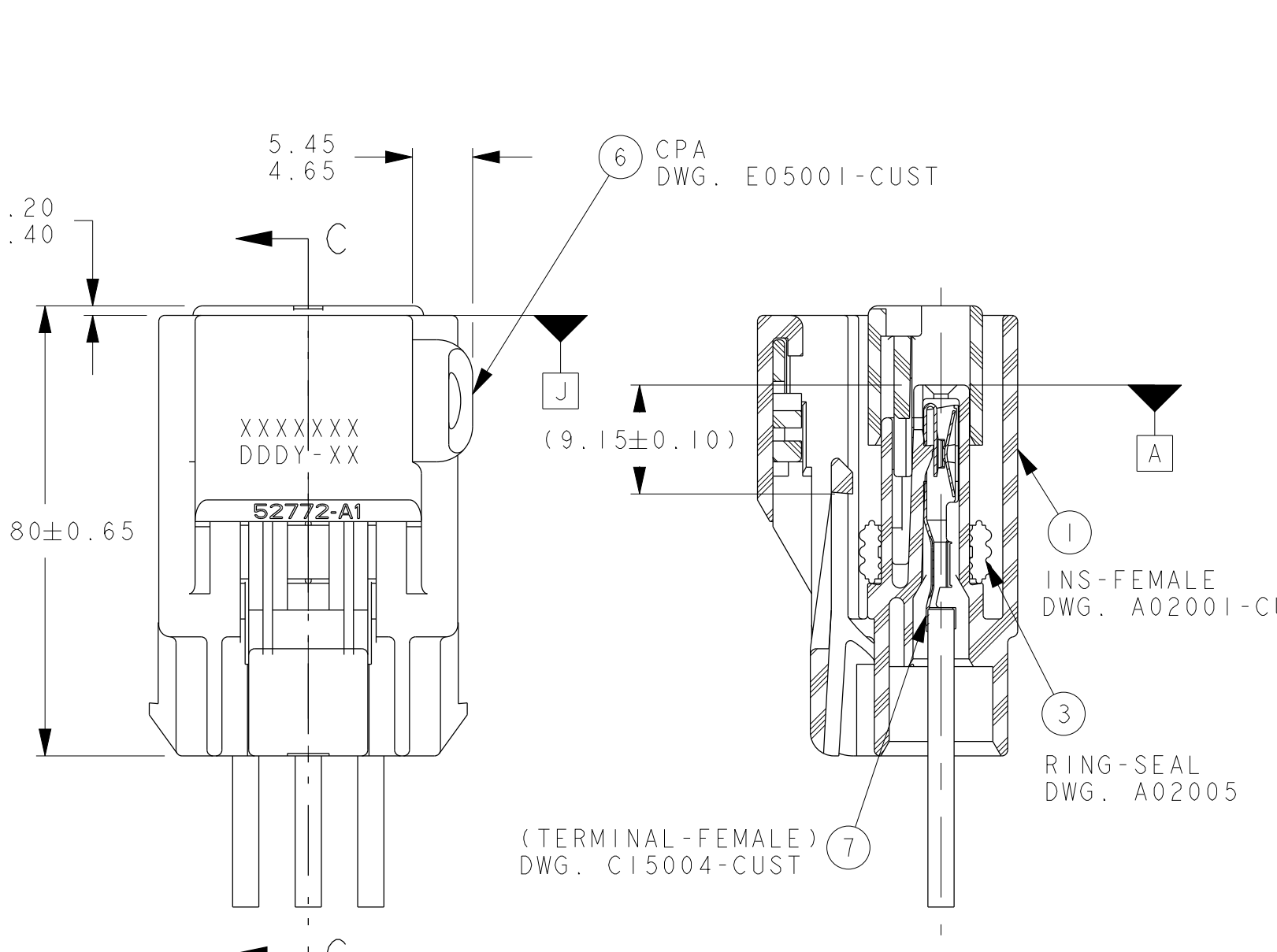
W/O CPA



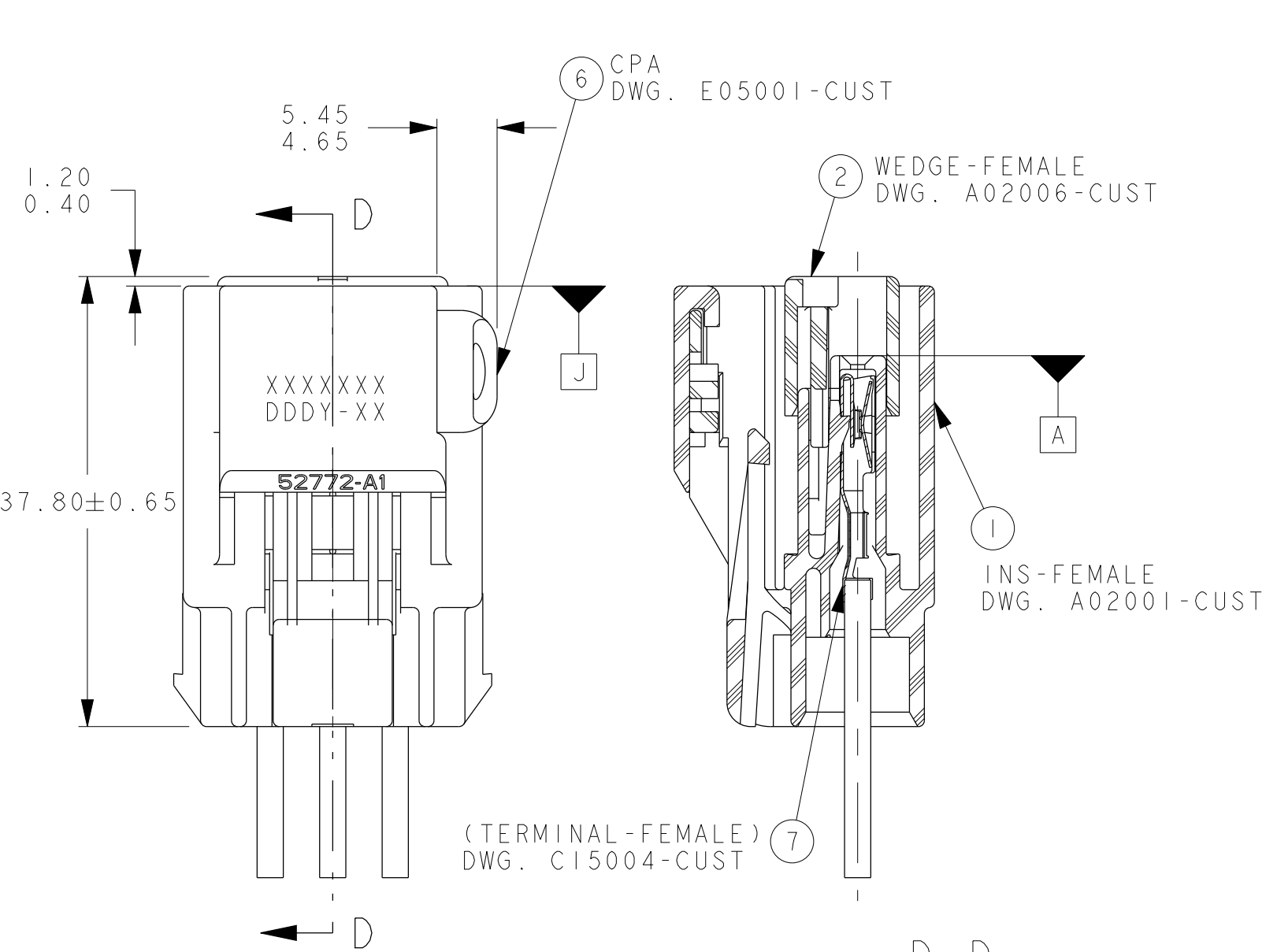
POLARIZATION OPTIONS
FULL SIZE SHOWN
WITH CPA



SECTION A-A
(FCI P/N 54200335)
SEALED PLUG



SEALED ASSEMBLY VIEWS
SHIPPED WITHOUT END SEAL AND RETAINER
P/N TO BE ASSIGNED



UNSEALED ASSEMBLY VIEWS
SHIPPED WITHOUT END SEAL AND RETAINER
SEE P/N CHART

NOTES:

QUALITY ASSURANCE REQUIREMENTS PER CHRYSLER PS-7300: 1 SPC DATA REQUIRED

ENGINEERING APPROVAL OF SUPPLIER SAMPLES IS REQUIRED PRIOR TO AUTHORIZATION OF PART PRODUCTION

CHANGES IN DESIGN COMPOSITION OR PROCESSING FROM THE PART PREVIOUSLY APPROVED FOR PART PRODUCTION REQUIRES PRIOR ENGINEERING APPROVAL

WIRING FABRICATORS MUST PURCHASE FROM SOURCES SHOWN

ALL THE SEALED CONNECTOR APPLICATIONS MUST BE USED WITH CHRYSLER WIRE SPEC. MS-8288 OR MS-8502 THIN WALL X-LINK 20, 18, 16 & 14 GAGE WIRES ONLY UNLESS OTHERWISE SPECIFIED (W