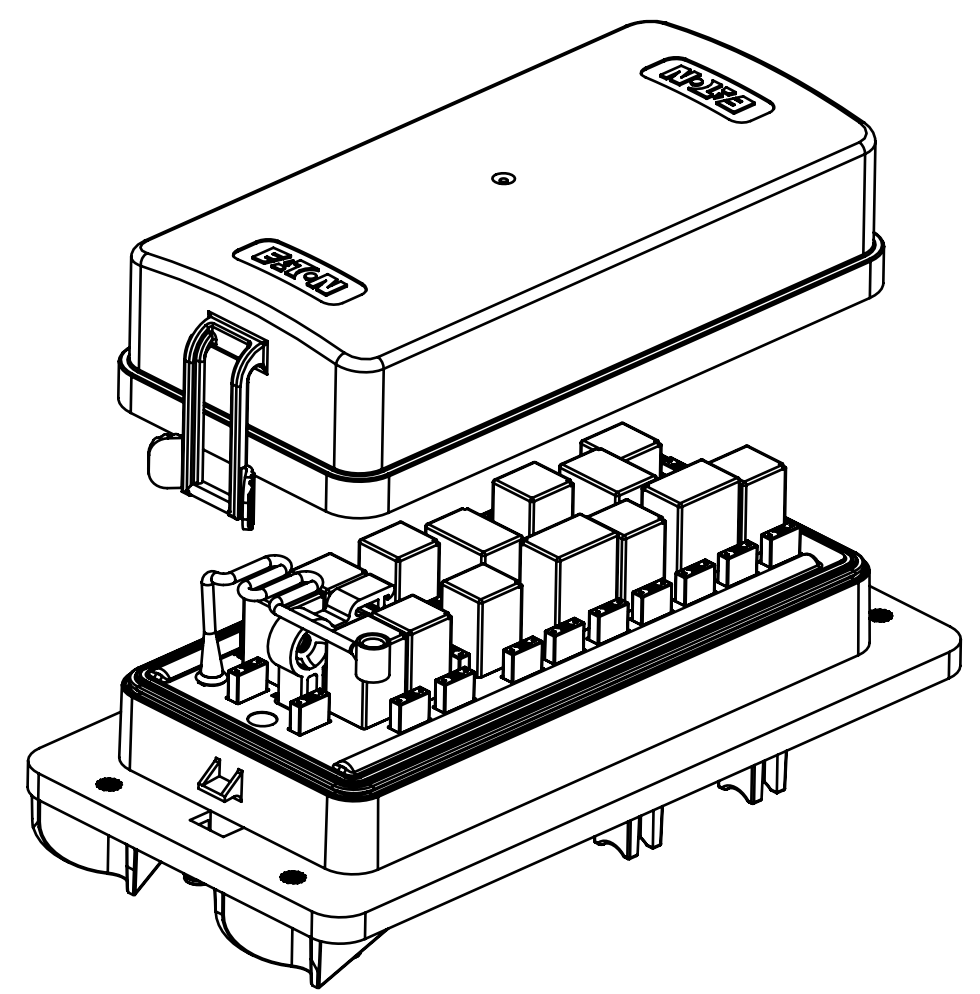
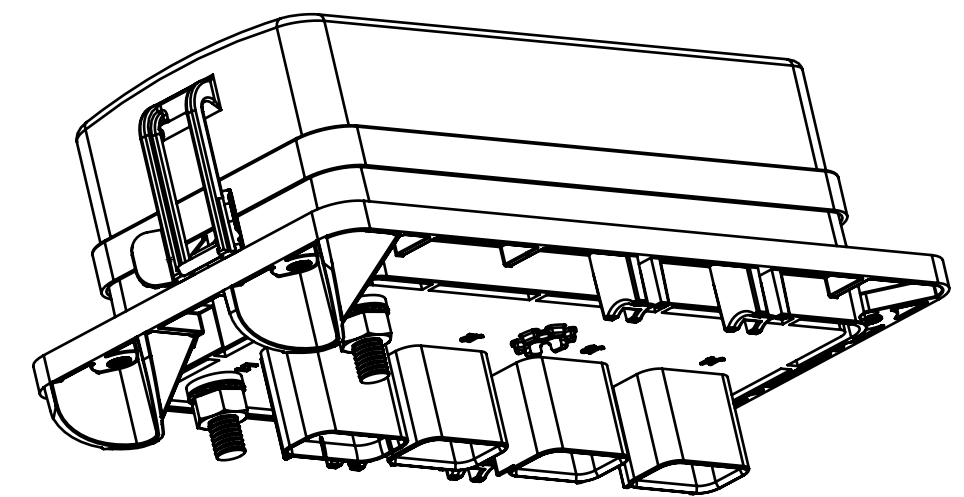


EATON CORPORATION - CONFIDENTIAL AND PROPRIETARY
 NOTICE TO PERSONS RECEIVING THIS DOCUMENT AND/OR TECHNICAL INFORMATION
 THIS DOCUMENT, INCLUDING THE DRAWING AND INFORMATION CONTAINED THEREON, IS CONFIDENTIAL AND IS THE EXCLUSIVE PROPERTY OF EATON CORPORATION, AND IS MERELY ON LOAN AND SUBJECT TO RECALL BY EATON AT ANY TIME, BY TAKING POSSESSION OF THIS DOCUMENT. THE RECIPIENT ACKNOWLEDGES AND AGREES THAT THIS DOCUMENT CANNOT BE USED IN ANY MANNER ADVERSE TO THE INTERESTS OF EATON AND THAT NO PORTION OF THIS DOCUMENT MAY BE COPIED OR OTHERWISE REPRODUCED WITHOUT THE PRIOR WRITTEN CONSENT OF EATON. IN THE CASE OF CONFLICTING CONTRACTUAL PROVISIONS, THIS NOTICE SHALL GOVERN THE STATUS OF THIS DOCUMENT.
 ©2017 Eaton Corporation, All Rights Reserved.

REVISIONS				
REV.	DESCRIPTION	ECO NO	DATE	ECO BY
A	PRODUCTION RELEASE	ECO-123716	2017/06/30	PD
B	CHANGED F27 FROM 5A TO 10A.	ECO-132459	2017/12/20	A.L

154M2-105-1

VERSION
 CUSTOMER NUMBER
 BASE MOUNTING THREADS
 2 - M5 X 0.8



NOTES:

- MATERIAL:
 - HOUSING:UL94 V-0 PBT THERMOPLASTIC
 - BUS BARS: TIN PLATED COPPER
 - INPUT STUDS: NICKEL PLATED BRASS
- INGRESS PROTECTION RATING: IP66 WHEN USED WITH COVER, SEAL, AND SEALING CONNECTORS.
- VENTED WITH GAS PERMEABLE, WATER-TIGHT VENT TO NORMALIZE INTERNAL PRESSURE
- RATING: MAX 200 AMPS TOTAL (MAX 100 AMPS PER INPUT STUD)
- CONNECTIONS: FOR USE WITH DELPHI APEX CONNECTION SYSTEMS
 MATING CONNECTOR PART NUMBERS:
 - J1: DELPHI 55251400
 - J2: DELPHI 54201012
 - J3: DELPHI 54201009
 - J4: DELPHI 54201010
- PDM CAPABLE OF CONTROLLING 14 RELAYS WITH SERIES FUSES, PLUS 14 INDEPENDANT FUSES
- THREADED MOUNTING INSERT TIGHTENING TORQUE 24 IN-LBF MAX
- INPUT STUD TIGHTENING TORQUE 70 IN-LBF MAX



○ CAPSULE AROUND DIMENSION INDICATES INCOMING INSPECTION REQUIRED
 ▲ INDICATES CRITICAL CHARACTERISTIC (MUST MEET CPK REQUIREMENTS)
 IN ACCORDANCE WITH CRP-SS-01-01-03 SUPPLIER MANUAL

DRAWING IN ACCORDANCE WITH
 ASME Y14.100 - 2013
 ASME Y14.1M - 2012
 [ASME Y14.1 - 2012]
 ASME Y14.5 - 2009

UNLESS OTHERWISE SPECIFIED DIMENSIONS ARE IN MILLIMETERS
 X ±3 X° ±1
 X.X ±0.5 X.X° ±0.5
 X.XX ±0.13
 THIRD ANGLE PROJECTION

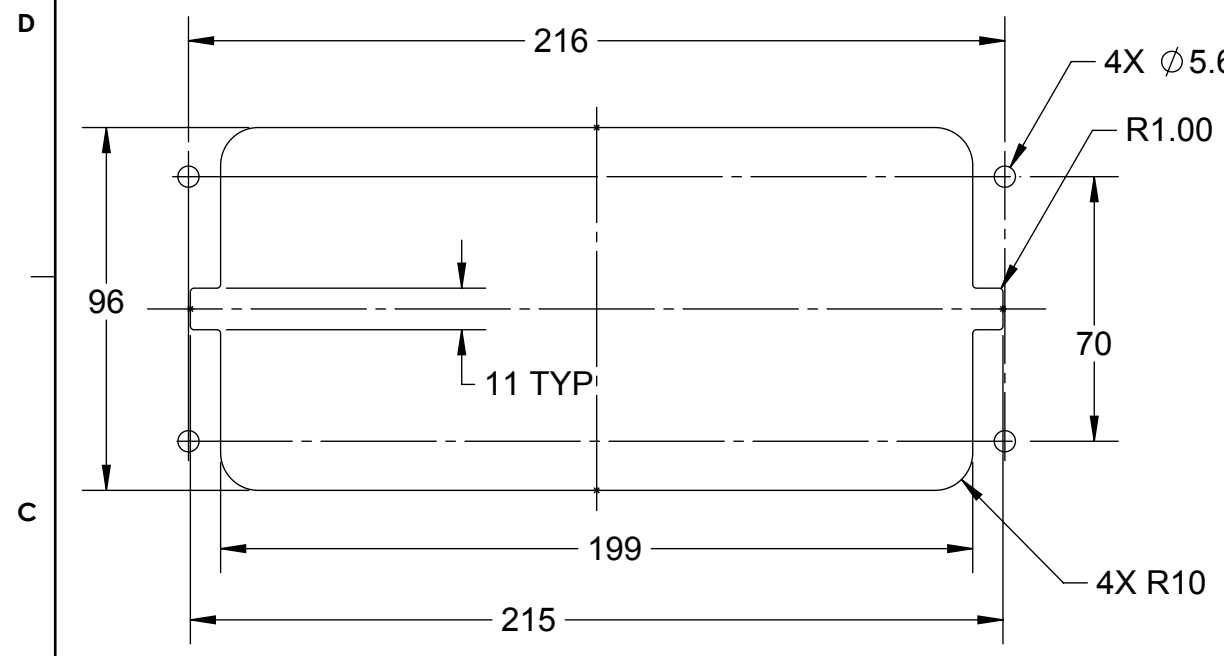
ENG/MFG REFERENCE
 MATERIAL: ELECTRONIC ASSEMBLY
 FINISH:
 RELATED DOCUMENT: 154M2-105-1

DRAFTER/DESIGNER
 P. DENIS
 DATE(YYYY/MM/DD)
 2017/06/30
 ENGINEERING APPROVED
 K. PFLUEGER
 2017/06/30
 CHANGE RESPONSIBILITY
 TUALATIN
 ECO No
 ECO-132459

TITLE
 mRFRM,GENERIC,METRIC,W/COVER SALES
 SIZE B
 DRAWING NUMBER
 154M2-105-1-SALES
 REVISION
 B
 CLASS CODE
 1
 SCALE
 1:2
 SHEET
 1 OF 4

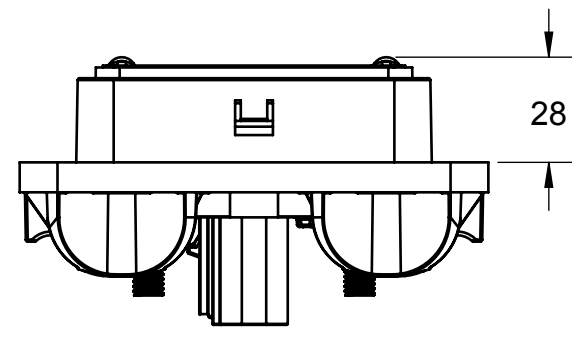
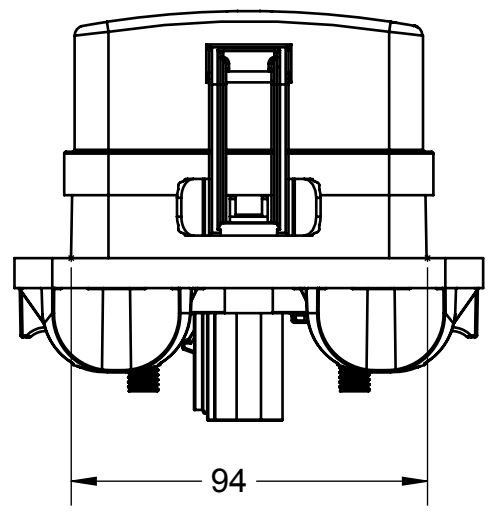
EATON CORPORATION - CONFIDENTIAL AND PROPRIETARY
 NOTICE TO PERSONS RECEIVING THIS DOCUMENT AND/OR TECHNICAL INFORMATION
 THIS DOCUMENT, INCLUDING THE DRAWING AND INFORMATION CONTAINED THEREON, IS CONFIDENTIAL AND IS THE EXCLUSIVE PROPERTY OF EATON CORPORATION, AND IS MERELY ON LOAN AND SUBJECT TO RECALL BY EATON AT ANY TIME, BY TAKING POSSESSION OF THIS DOCUMENT. THE RECIPIENT ACKNOWLEDGES AND AGREES THAT THIS DOCUMENT CANNOT BE USED IN ANY MANNER ADVERSE TO THE INTERESTS OF EATON AND THAT NO PORTION OF THIS DOCUMENT MAY BE COPIED OR OTHERWISE REPRODUCED WITHOUT THE PRIOR WRITTEN CONSENT OF EATON. IN THE CASE OF CONFLICTING CONTRACTUAL PROVISIONS, THIS NOTICE SHALL GOVERN THE STATUS OF THIS DOCUMENT.
 ©2017 Eaton Corporation, All Rights Reserved.

4X THREADED MOUNTING INSERTS

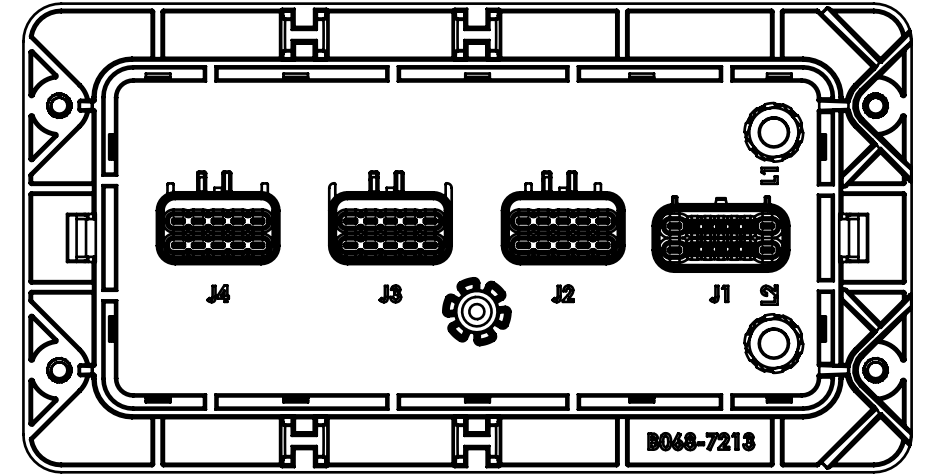
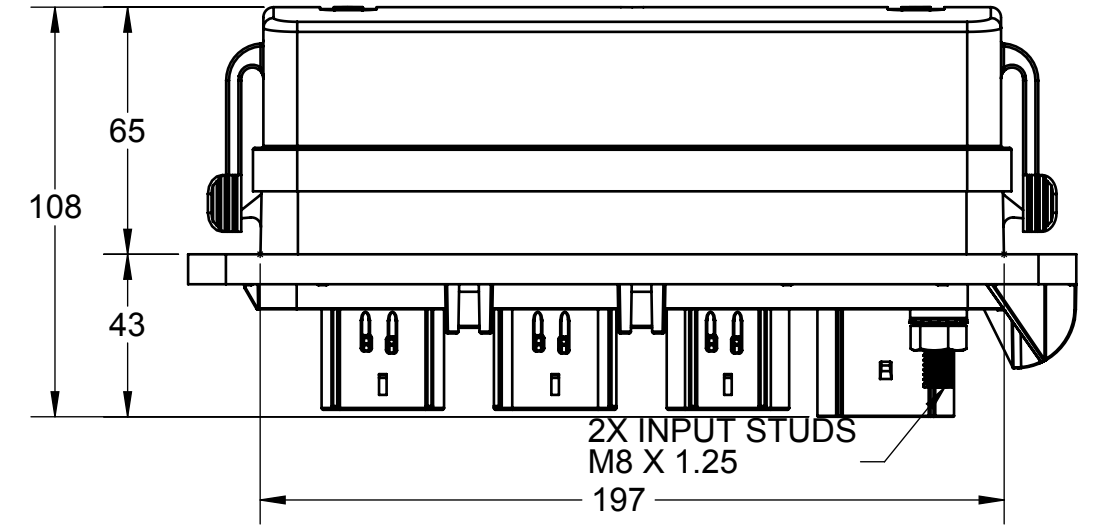
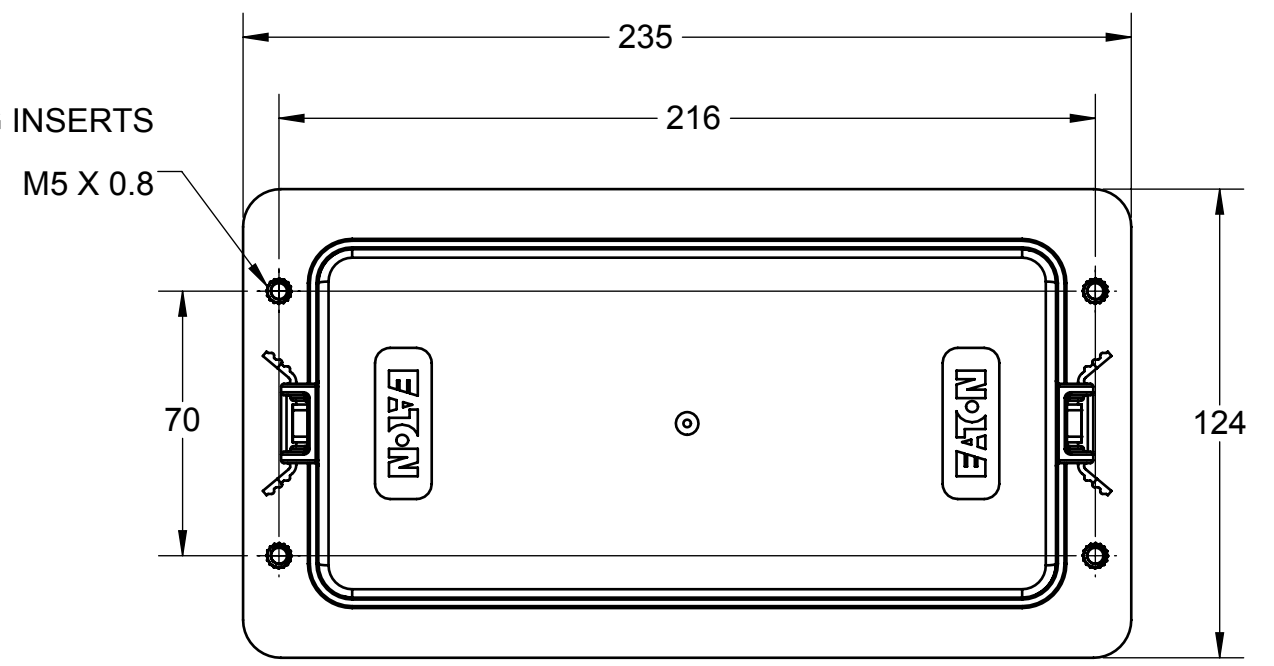


MOUNTING CUT OUT DIMENSIONS

mRFRM DESIGNED TO BE MOUNTED FROM REAR OF PANEL



SHOWN WITH NO COVER OR COMPONENTS



EATON
 Powering Business Worldwide
 CPCD - TRANSPORTATION
 TUALATIN, OR

○ CAPSULE AROUND DIMENSION INDICATES INCOMING INSPECTION REQUIRED
 ▲ INDICATES CRITICAL CHARACTERISTIC (MUST MEET CPK REQUIREMENTS)
 IN ACCORDANCE WITH CRP-SS-01-01-03 SUPPLIER MANUAL

DRAWING IN ACCORDANCE WITH
 ASME Y14.100 - 2013
 ASME Y14.1M - 2012
 [ASME Y14.1 - 2012]
 ASME Y14.5 - 2009

UNLESS OTHERWISE SPECIFIED DIMENSIONS ARE IN MILLIMETERS
 X ±3 X° ±1
 X.X ±0.5 X.X° ±0.5
 X.XX ±0.13
 THIRD ANGLE PROJECTION

ENG/MFG REFERENCE
 MATERIAL: ELECTRONIC ASSEMBLY
 FINISH:
 RELATED DOCUMENT: 154M2-105-1

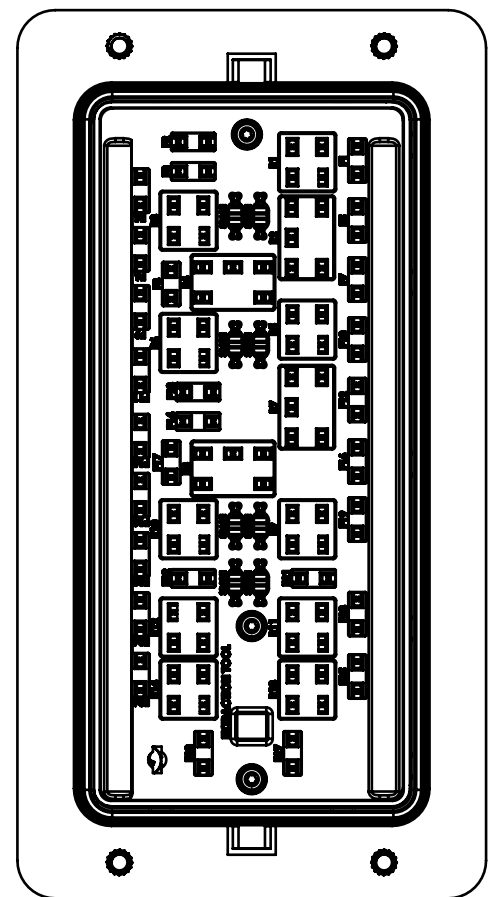
DRAFTER/DESIGNER
 P. DENIS
 DATE (YYYY/MM/DD)
 2017/06/30
 ENGINEERING APPROVED
 K. PFLUEGER
 DATE (YYYY/MM/DD)
 2017/06/30
 CHANGE RESPONSIBILITY
 TUALATIN
 ECO No
 ECO-132459

TITLE
 mRFRM, GENERIC, METRIC, W/COVER SALES
 SIZE B
 DRAWING NUMBER
 154M2-105-1-SALES
 REVISION
 B
 CLASS CODE
 1
 SCALE
 1:2
 SHEET
 2 OF 4

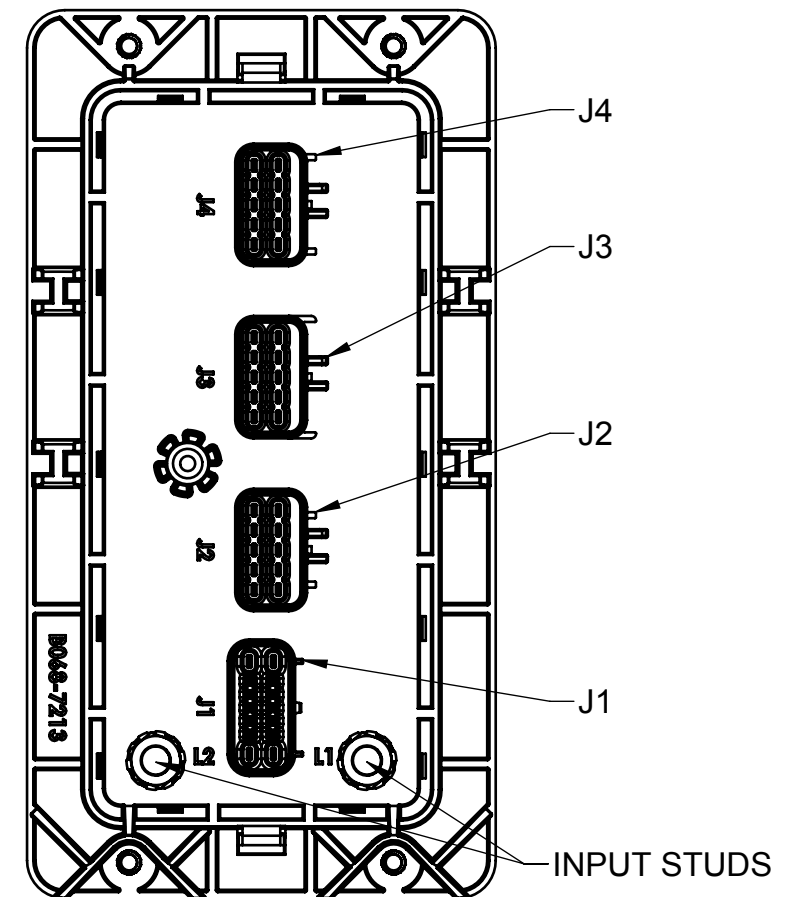
8 7 6 5 4 3 2 1

EATON CORPORATION - CONFIDENTIAL AND PROPRIETARY
NOTICE TO PERSONS RECEIVING THIS DOCUMENT AND/OR TECHNICAL INFORMATION

THIS DOCUMENT, INCLUDING THE DRAWING AND INFORMATION CONTAINED THEREON, IS CONFIDENTIAL AND IS THE EXCLUSIVE PROPERTY OF EATON CORPORATION, AND IS MERELY ON LOAN AND SUBJECT TO RECALL BY EATON AT ANY TIME, BY TAKING POSSESSION OF THIS DOCUMENT. THE RECIPIENT ACKNOWLEDGES AND AGREES THAT THIS DOCUMENT CANNOT BE USED IN ANY MANNER ADVERSE TO THE INTERESTS OF EATON AND THAT NO PORTION OF THIS DOCUMENT MAY BE COPIED OR OTHERWISE REPRODUCED WITHOUT THE PRIOR WRITTEN CONSENT OF EATON. IN THE CASE OF CONFLICTING CONTRACTUAL PROVISIONS, THIS NOTICE SHALL GOVERN THE STATUS OF THIS DOCUMENT.
©2017 Eaton Corporation, All Rights Reserved.



TOP VIEW
COVER AND COMPONENTS REMOVED



BOTTOM VIEW
SHOWING CONNECTOR LOCATIONS

D
C
B
A

D
C
B
A



○ CAPSULE AROUND DIMENSION INDICATES INCOMING INSPECTION REQUIRED
△ INDICATES CRITICAL CHARACTERISTIC (MUST MEET CPK REQUIREMENTS)
IN ACCORDANCE WITH CRP-SS-01-01-03 SUPPLIER MANUAL

DRAWING IN ACCORDANCE WITH
ASME Y14.100 - 2013
ASME Y14.1M - 2012
[ASME Y14.1 - 2012]
ASME Y14.5 - 2009

UNLESS OTHERWISE SPECIFIED DIMENSIONS ARE IN MILLIMETERS
X ±3 X° ±1
X.X ±0.5 X.X° ±0.5
X.XX ±0.13
THIRD ANGLE PROJECTION

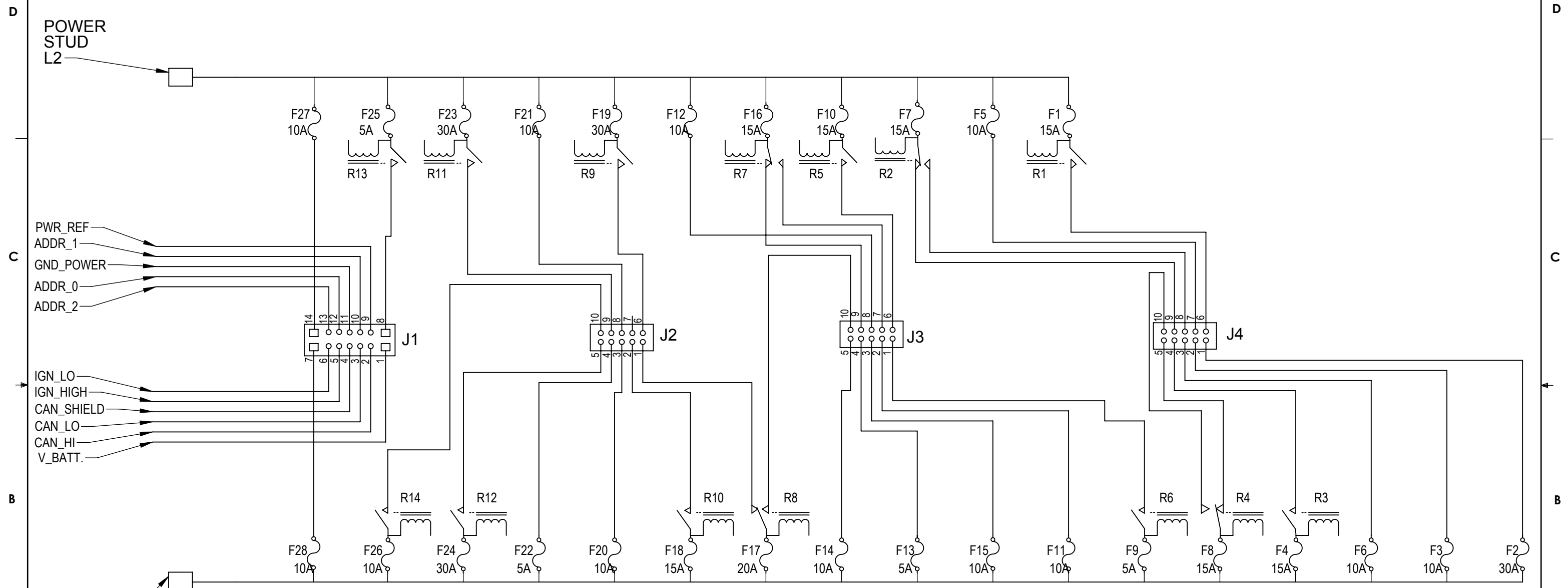
ENG/MFG REFERENCE
MATERIAL: ELECTRONIC ASSEMBLY
FINISH:
RELATED DOCUMENT: 154M2-105-1

DRAFTER/DESIGNER
P. DENIS
DATE (YYYY/MM/DD)
2017/06/30
ENGINEERING APPROVED
K. PFLUEGER
2017/06/30
CHANGE RESPONSIBILITY
TUALATIN
ECO No
ECO-132459

TITLE		mRFRM, GENERIC, METRIC, W/COVER SALES		
SIZE	DRAWING NUMBER	154M2-105-1-SALES		REVISION
B				B
	CLASS CODE	SCALE	SHEET	
	1	1:2	3 OF 4	

8 7 6 5 4 3 2 1

EATON CORPORATION - CONFIDENTIAL AND PROPRIETARY
 NOTICE TO PERSONS RECEIVING THIS DOCUMENT AND/OR TECHNICAL INFORMATION
 THIS DOCUMENT, INCLUDING THE DRAWING AND INFORMATION CONTAINED THEREON, IS CONFIDENTIAL AND IS THE EXCLUSIVE PROPERTY OF EATON CORPORATION, AND IS MERELY ON LOAN AND SUBJECT TO RECALL BY EATON AT ANY TIME, BY TAKING POSSESSION OF THIS DOCUMENT. THE RECIPIENT ACKNOWLEDGES AND AGREES THAT THIS DOCUMENT CANNOT BE USED IN ANY MANNER ADVERSE TO THE INTERESTS OF EATON AND THAT NO PORTION OF THIS DOCUMENT MAY BE COPIED OR OTHERWISE REPRODUCED WITHOUT THE PRIOR WRITTEN CONSENT OF EATON. IN THE CASE OF CONFLICTING CONTRACTUAL PROVISIONS, THIS NOTICE SHALL GOVERN THE STATUS OF THIS DOCUMENT.
 ©2017 Eaton Corporation, All Rights Reserved.



NOTES (UNLESS OTHERWISE SPECIFIED):

1. ASSEMBLY TO INCLUDE FUSES (SEE TABLE).
2. ASSEMBLY TO INCLUDE FUSE PULLER.
3. COVER TO INCLUDE MARKING INTERIOR.
4. SYSTEM VOLTAGE: 12V
5. MODULE SOURCE ADDRESS: 160d (DEFAULT).

SPARE FUSES		
POSITION	DEVICE	RATING
SPARE 1	MINI FUSE	5A
SPARE 2	MINI FUSE	10A
SPARE 3	MINI FUSE	10A
SPARE 4	MINI FUSE	15A
SPARE 5	MINI FUSE	15A
SPARE 6	MINI FUSE	20A
SPARE 7	MINI FUSE	20A
SPARE 8	MINI FUSE	30A



○ CAPSULE AROUND DIMENSION INDICATES INCOMING INSPECTION REQUIRED
 ▲ INDICATES CRITICAL CHARACTERISTIC (MUST MEET CPK REQUIREMENTS)
IN ACCORDANCE WITH CRP-SS-01-01-03 SUPPLIER MANUAL

DRAWING IN ACCORDANCE WITH
 ASME Y14.100 - 2013
 ASME Y14.1M - 2012
 [ASME Y14.1 - 2012]
 ASME Y14.5 - 2009

UNLESS OTHERWISE SPECIFIED DIMENSIONS ARE IN MILLIMETERS
 X ±3 X° ±1
 X.X ±0.5 X.X° ±0.5
 X.XX ±0.13
 THIRD ANGLE PROJECTION

ENG/MFG REFERENCE
 MATERIAL: ELECTRONIC ASSEMBLY
 FINISH:
 RELATED DOCUMENT: 154M2-105-1

DRAFTER/DESIGNER
 P. DENIS
 DATE (YYYY/MM/DD)
 2017/06/30
 ENGINEERING APPROVED
 K. PFLUEGER
 DATE (YYYY/MM/DD)
 2017/06/30
 CHANGE RESPONSIBILITY
 TUALATIN
 ECO No
 ECO-132459

TITLE
 mRFRM Schematic
 SIZE B
 DRAWING NUMBER 154M2-105-1-SALES
 REVISION B
 CAGE CODE NO. N/A
 CLASS CODE 3
 SCALE 2:3
 SHEET 4 OF 4