

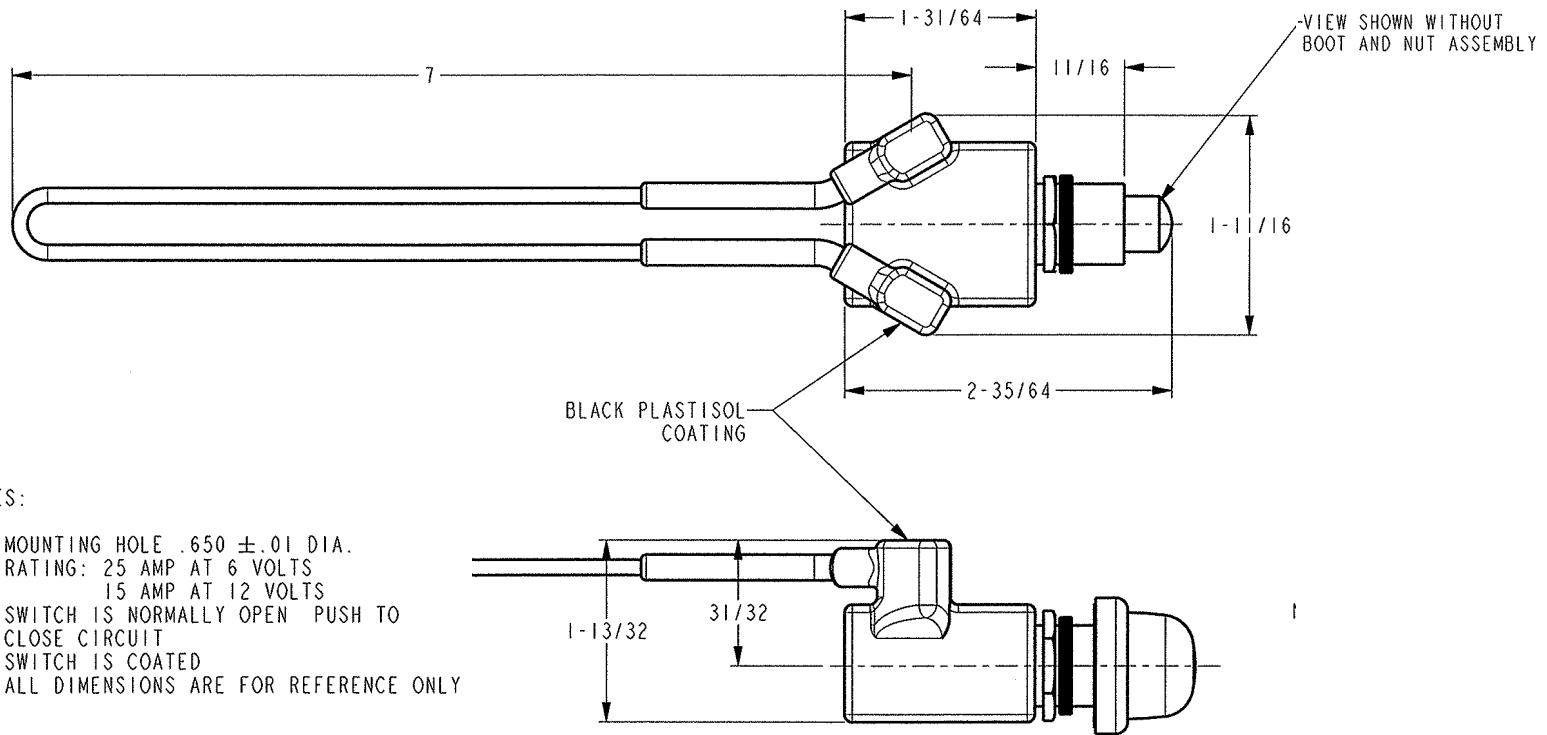


WAYTEK, INC.

Momentary Push Button Switch

Waytek
Stock No.

44046



NOTES:

1. MOUNTING HOLE $.650 \pm .01$ DIA.
2. RATING: 25 AMP AT 6 VOLTS
15 AMP AT 12 VOLTS
3. SWITCH IS NORMALLY OPEN PUSH TO CLOSE CIRCUIT
4. SWITCH IS COATED
5. ALL DIMENSIONS ARE FOR REFERENCE ONLY

UNCONTROLLED DOCUMENT

All information provided by manufacturer
Updated 3/18/10

www.waytekwire.com

Phone | 800.328.2724 | 952.949.0765

Fax | 800.858.0319 | 952.949.0965