

**35A NORMALLY OFF PUSHBUTTON SWITCHES**



9095

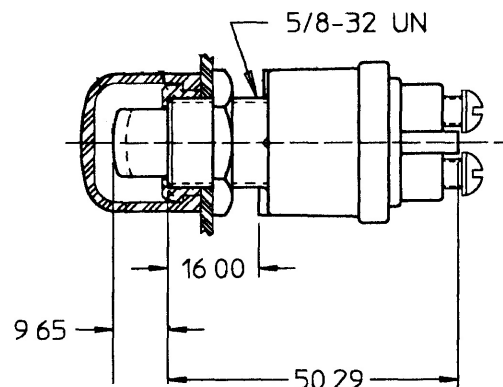
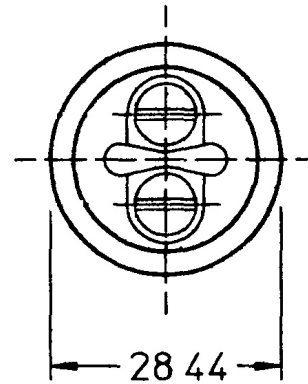
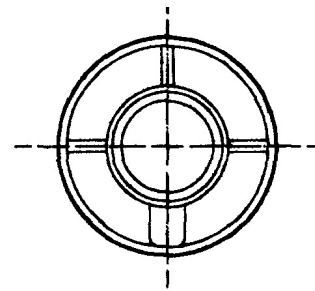


9245 with rubber cap

**Description**

Normally Off switches (Normally Open) are push to operate, spring return to Off, and have cylindrical diecast body with 5/8"-32 mounting stem.

Specifications	
Housing	Cylindrical diecast body
Circuitry	Off - On, Normally Off. On with button depressed, spring return to Off.
Rating	35A at 12V DC, 20A at 24V DC
Contacts	Silver
Button & facenut	Chrome-plated except where noted



9245 dimensions

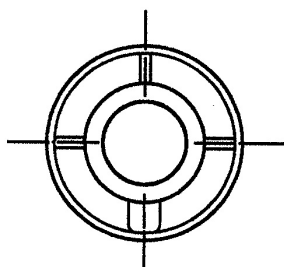
## 35A NORMALLY OFF PUSHBUTTON SWITCHES

### Ordering information

Part No.	Type	Mounting	Terminals	Notes
9023 9023-BX	SPST Normally Off	5/8"-32 0.87"L (22.1mm)	2 screws	15A resistive, 10A inductive at 12V DC, 8A resistive, 5A inductive at 24V DC
<i>9023-09</i>	<i>SPST Normally Off</i>	<i>5/8"-32 0.87"L (22.1mm)</i>	<i>2 screws</i>	<i>15A resistive, 10A inductive at 12V DC, 8A resistive, 5A inductive at 24V DC. With screw-on black cap 83280-03</i>
9095 9095-BX	SPST Normally Off	5/8"-32 21/32"L (16.7mm)	2 screws	
<i>9155</i>	<i>SPST Normally Off</i>	<i>5/8"-32 21/32"L (16.7mm)</i>	<i>2 screws</i>	<i>With large button</i>
9216 9216-BX	SPST Normally Off	5/8"-32 21/32"L (16.7mm)	2 screws	O-ring seal in mounting stem
9216-03 9216-03-BX	SPST Normally Off	5/8"-32 21/32"L (16.7mm)	2 screws	O-ring seal in the mounting stem, and screw-on black rubber cap (83280-03)
9231 9231-BX	SPST Normally Off	5/8"-32 21/32"L (16.7mm)	2 screws	With recessed facenut to protect button.
9238 9238-BX	SPST Normally Off	5/8"-32 0.87"L (22.1mm)	2 blades	15A resistive, 10A inductive at 12V DC, 8A resistive, 5A inductive at 24V DC
<i>9238-01</i>	<i>SPST Normally Off</i>	<i>5/8"-32 0.87"L (22.1mm)</i>	<i>2 blades</i>	<i>15A resistive, 10A inductive at 12V DC, 8A resistive, 5A inductive at 24V DC. With black rubber screw-on cap 83280-03</i>
9245 9245-BP 9245-BX	SPST Normally Off	5/8"-32 21/32"L (16.7mm)	2 screws	O-ring seal in the mounting stem, and snap-on black rubber cap (407-03)
<i>90000-01</i>	<i>SPST Normally Off</i>	<i>5/8"-32 21/32"L (16.7mm)</i>	<i>2 screws</i>	<i>With recessed facenut to protect button. O-ring seal</i>
<i>90011</i>	<i>SPST Normally Off</i>	<i>5/8"-32 5/8"L (15.9mm)</i>	<i>2 male buttons accept Delphi 2962679</i>	<i>Black plastic button</i>
90030 90030-BP 90030-BX	SPST Normally Off	5/8"-32 21/32"L (16.7mm)	2 screws	With plastic button and screw-on cap 83280-03
90030-01 90030-01-BX	SPST Normally Off	5/8"-32 21/32"L (16.7mm)	2 screws	With plastic button and screw-on brown oil-resistant cap 83280-05
<i>90030-04</i>	<i>SPST Normally Off</i>	<i>5/8"-32 21/32"L (16.7mm)</i>	<i>2 screws</i>	<i>With plastic button and red screw-on cap 83280-02</i>
90036-02 90036-02-BX	SPST Normally Off	5/8"-32 21/32"L (16.7mm)	2 blades fit Delphi 2973407	

Items in italics are available by Special Order only

Part numbers without suffix are supplied bulk; numbers with BX suffix are individually boxed; numbers with BP suffix are in retail pack



9095 dimensions

