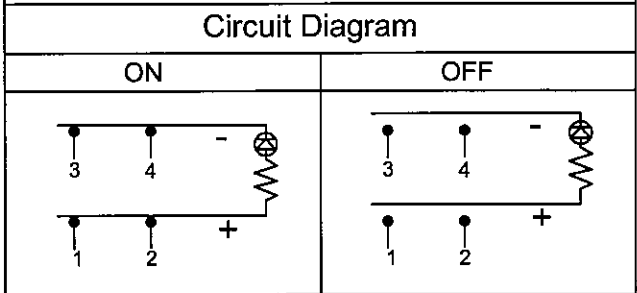
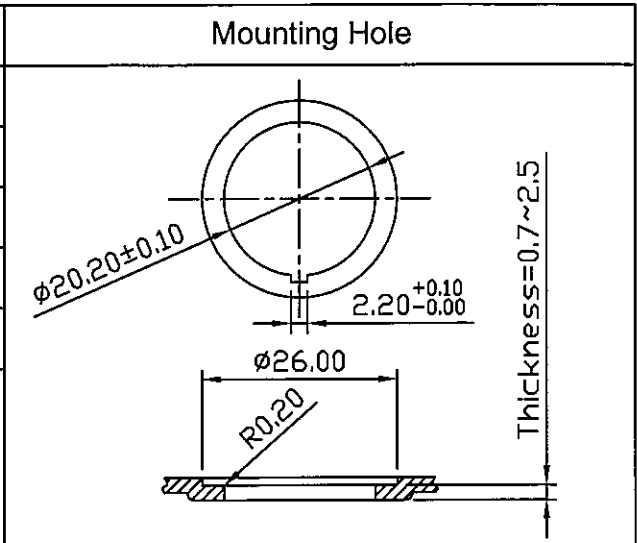
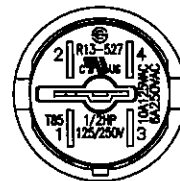
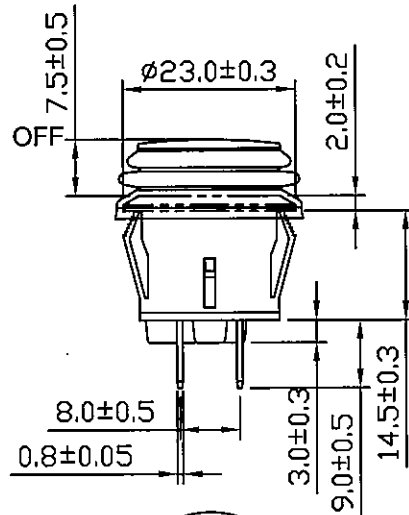
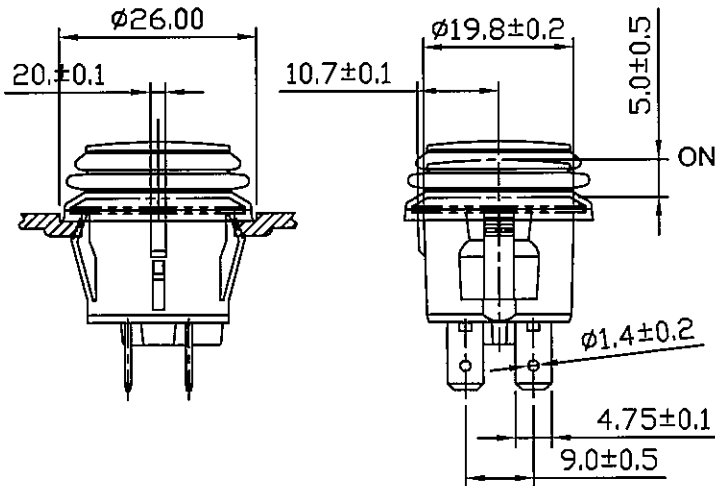
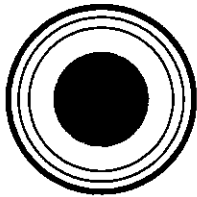


| | |
|-----------------------|--------------------------------|
| Rating | 20A 14VDC |
| Contact Resistance | 50m ohm Max. |
| Insulation Resistance | DC 500V 100M ohm Min. |
| Dielectric Strength | AC 1500V 1 minute |
| Operation Temperature | -25°C ~ 85°C |
| Switch Function | 4P DPST ON-OFF (LED dependent) |



*MATERIAL:
 Frame: Black, Nylon 66 (94-V2)
 Actuator: Red clear, PC (94-V2)
 Terminals: Silver plated, Copper alloy
 Waterproof Rubber: Black, Silicone
 Printed: None
 LED: Red
 Waterproof: IP65



for EF001 only

C8\客戶圖面\EF001\R13-527B2L-02(44101)

| | | | | | | | |
|----------|---------|--------------------|--------------------|--------------------------------|---------------|------|---|
| | | | | | | △ | |
| | | | | | | △ | |
| Date | Name | Description | | | | NO | |
| Drawn | Checked | Approved | SCI BOM NO | Model Name | PUSH SWITCH | | |
| 曹盈芳 | | <i>[Signature]</i> | Customer No. 44101 | Model No. | R13-527B2L-02 | Rev. | 0 |
| 01/21/11 | | <i>[Signature]</i> | Unit mm | Shin Chin Industrial Co., Ltd. | | | 0 |