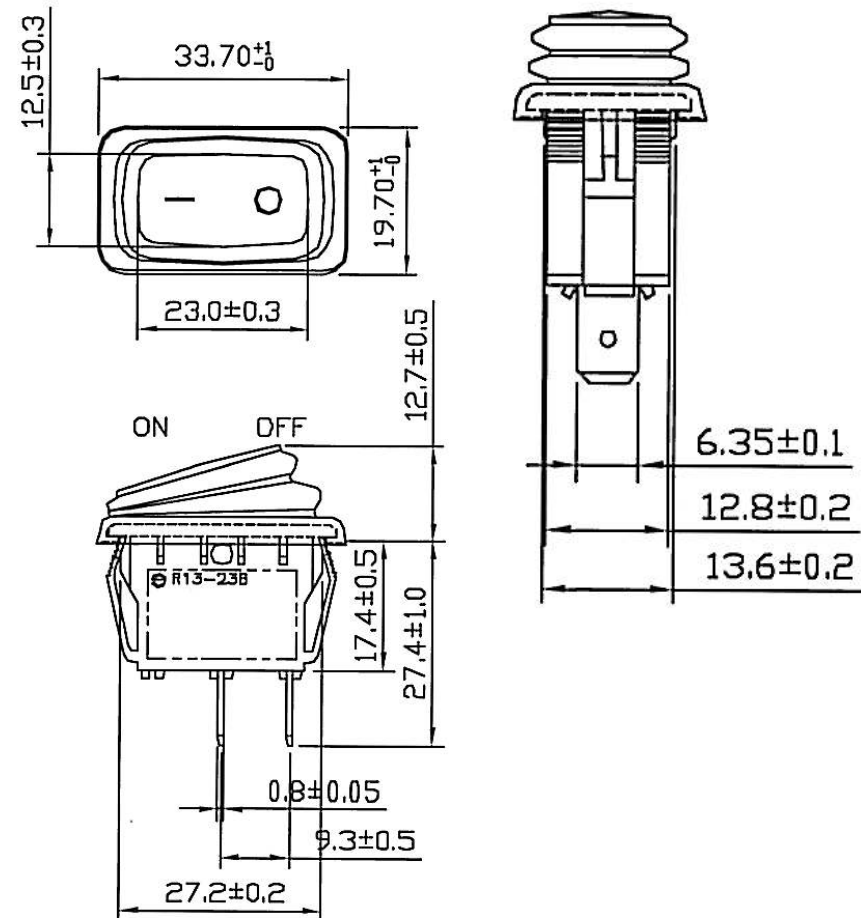


## Water-Proof Rectangle Rocker Switch

Waytek Stock No.	Illumination Color	Switch Function	Current Rating
44119	Red	2P SPST On-off	25A @ 14VDC 15A @ 26V DC 16(6)A @ 125/250V AC
44120	Red LED	3P SPST On-off LED	25A @ 14VDC
44121	None	3P SPDT On-off-on	25A @ 14VDC 15A @ 28V DC 16A @ 125V AC 10A @ 250V AC 16(6)A @ 250V AC

### Features:

- Body Material: Black Nylon 66
- Actuator Material: PC (94-V2)
- IP65
- Waterproof rubber material: silicone
- Contact Material: Copper alloy
- Operating Temperature: -13°F to 185°F (-25°C to 85°C)
- Contacts: 1/4" male terminals
- Contact Resistance: 50m ohm Max.
- Insulation Resistance: DC 500 V 100M ohm Min
- Dielectric Strength: AC 1500V 1 minute

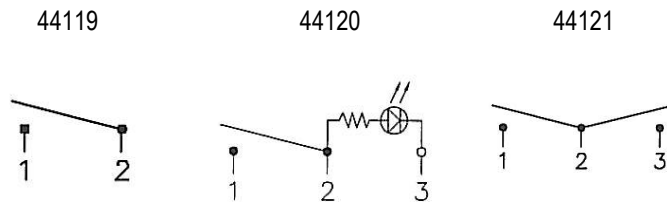


UNCONTROLLED DOCUMENT  
All information provided by manufacturer  
Updated 1/18/11

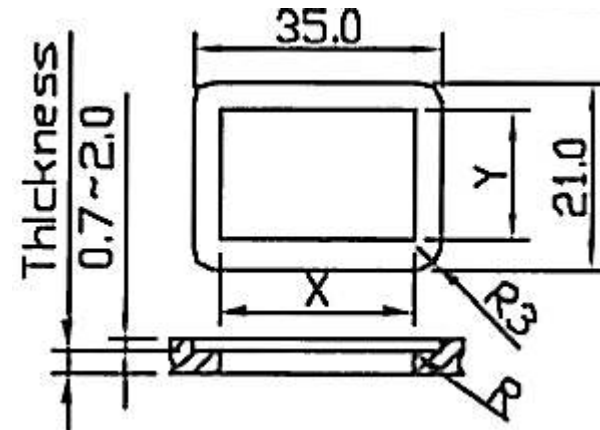
## Water-Proof Rectangle Rocker Switch

Waytek Stock No.	Illumination Color	Switch Function	Current Rating
44119	Red	2P SPST On-off	25A @ 14VDC 15A @ 26V DC 16(6)A @ 125/250V AC
44120	Red LED	3P SPST On-off LED	25A @ 14VDC
44121	None	3P SPDT On-off-on	25A @ 14VDC 15A @ 28V DC 16A @ 125V AC 10A @ 250V AC 16(6)A @ 250V AC

Circuit Diagram



Mounting Hole Dimensions



Thickness	X	Y
0.75...2.5	27.6-0.1	13.8+0.1
2.5...3.5	27.8-0.1	13.8+0.1
3.5...4.5	28.0-0.1	13.8+0.1