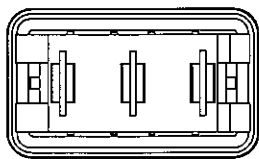
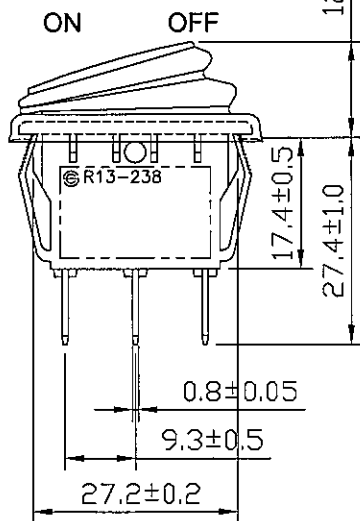
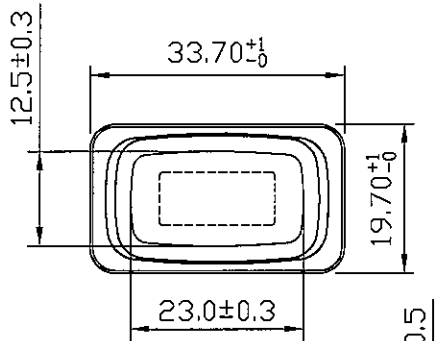
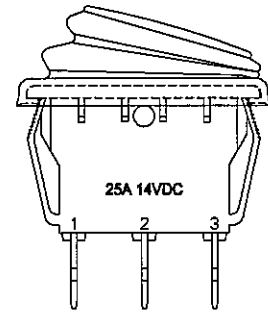
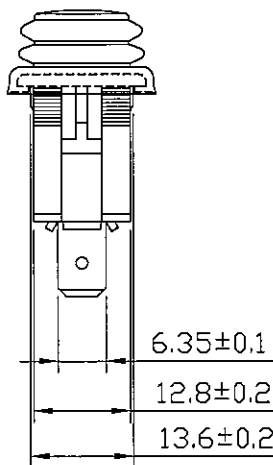


Rating	25A 14VDC	Mounting Hole		Circuit Diagram
Contact Resistance	50m ohm Max.			
Insulation Resistance	DC 500V 100M ohm Min.			
Dielectric Strength	AC 1500V 1 minute			
Operation Temperature	-25°c~85°c			
Switch Function	3P SPST ON-OFF (LED dependent)	Thickness	X	Y
		0.75...2.5	27.6-0.1	13.8+0.1
		2.5...3.5	27.8-0.1	13.8+0.1
		3.5...4.5	28.0-0.1	13.8+0.1



***MATERIAL:**

Frame: Black, Nylon 66 (94-V2)
 Actuator: Red, PC clear (94-V2)
 Waterproof rubber: Black, Silicone
 Terminals 1,2: Silver plated, Copper alloy
 Terminal 3: Brass alloy
 Printed: None
 IP rating: IP65
 LED: Red



for EF001 only

C8\客戶圖面\EF001\R13-238B8-01(44120)

									△	
									△	
Date	Name	Description					NO			
Drawn	Checked	Approved	SCI BOM No.			Model Name	ROCKER SWITCH			
曹盈芳			Customer No.	44120		Model No.	R13-238B8-01	Rev.		0
01/19/11		1/30/11	Unit	mm	Shin Chin Industrial Co., Ltd.					