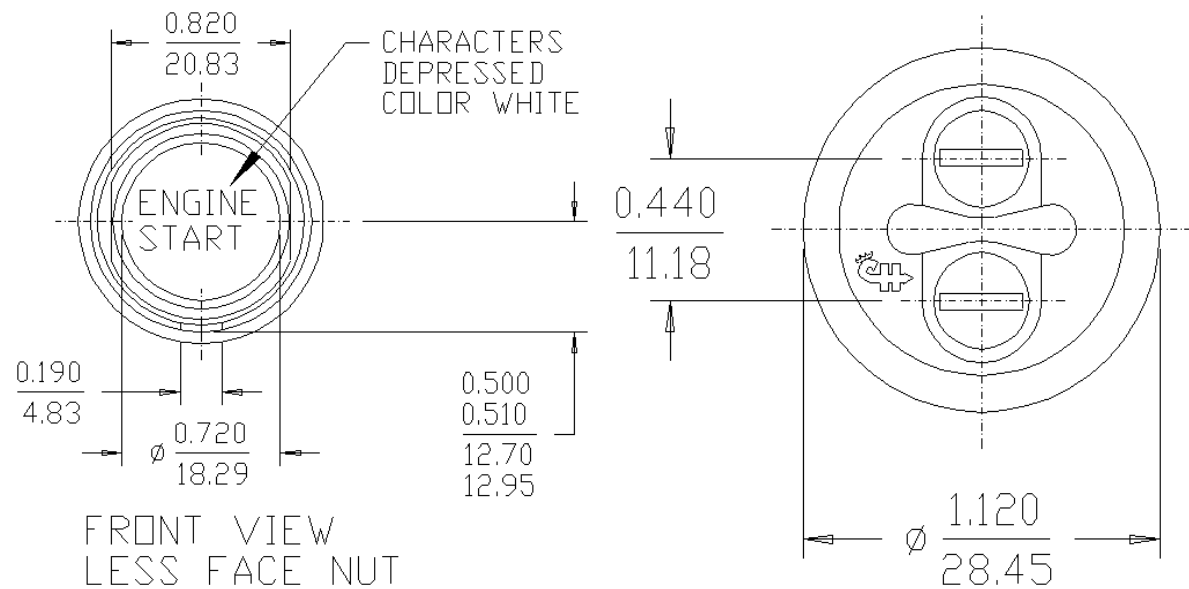


Momentary Engine Start & Stop Switches |

Waytek Stock No.	Switch Imprint
44157	Start
44158	Stop

Features:

- Rating: 35A at 12V DC, 20A at 24VDC
- Terminals: Two 8-32" screws
- Mounting Panel Thickness: From .04"-.10" thick (1.01mm - 2.54mm), keyed to prevent switch from turning, mount in panels 7/8" - 24 (22.22 mm) dia.
- Housing: diecast
- Contacts: silver
- Button: Impact resistant molded black plastic
- Face Nut: Knurled aluminum
- Weather resistant



Momentary Engine Start & Stop Switches

Waytek Stock No.	Switch Imprint
44157	Start
44158	Stop

