

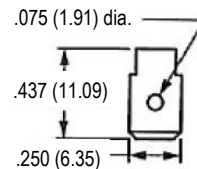
Nylon Toggle Switches

Waytek Stock No.	Circuit	Type	Amp Rating	Contacts	Toggle
44200	on-off	SPST	20A @ 250 VAC	2	Black Nylon
44201	mom.on-off	SPST	10A @ 250 VAC 15A @ 125 VAC	2	Black Nylon
44202	on-off-on	SPDT	20A @ 250 VAC	3	Black Nylon
44203	mom.on-off-mom.on	SPDT	10A @ 250 VAC 15A @ 125 VAC	3	Black Nylon
44204	on-off	DPST	20A @ 250 VAC	4	Black Nylon
44205	on-off-on	DPDT	20A @ 250 VAC	6	Black Nylon
44206	on-off	SPST	10A @ 250 VAC 15A @ 125 VAC	3	Lighted
44207	on-off-on	SPDT	10A @ 250 VAC 15A @ 125 VAC	5	Lighted

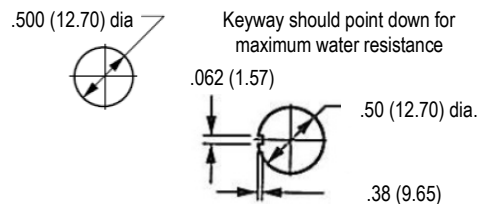
Features:

- Base Material: Phenolic
- Actuator Material: Polycarbonate
- Neoprene bushing seals for dust and moisture protection
- Lighted units available for 12 volts DC only
- Red=on, clear=off
- Contacts: 1/4" male terminals
- Dielectric Strength: 1,000 V minimum
- Insulation Resistance: 100 Megohms (minimum)

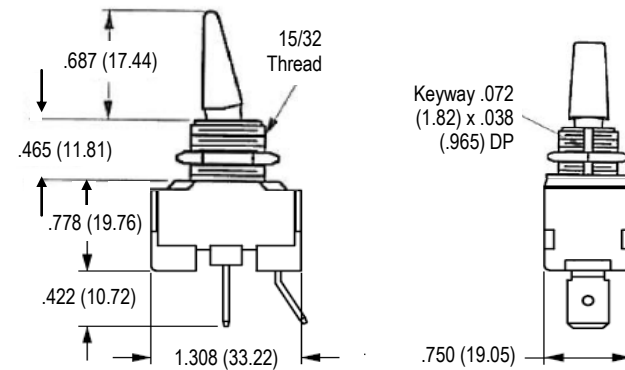
Contacts for 44200-44207



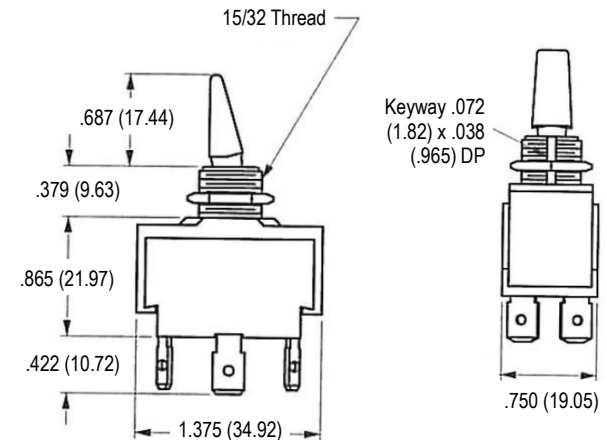
Mounting for 44200-44207



Dimensions for: 44200-44205



Dimensions for: 44206-44207



www.waytekwire.com

Phone | 800.328.2724 | 952.949.0765

Fax | 800.858.0319 | 952.949.0965