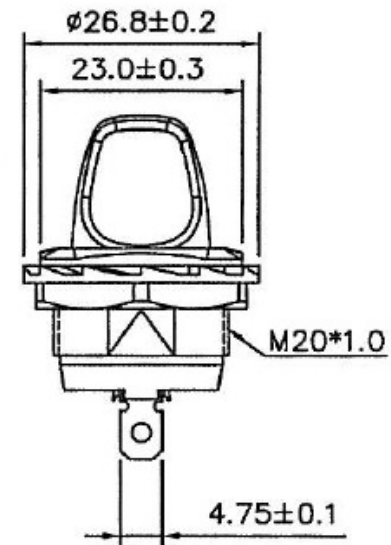
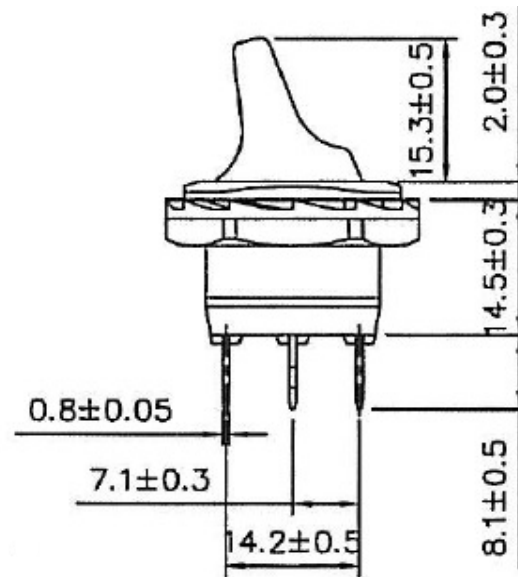


LED Illuminated Round Rocker Switch

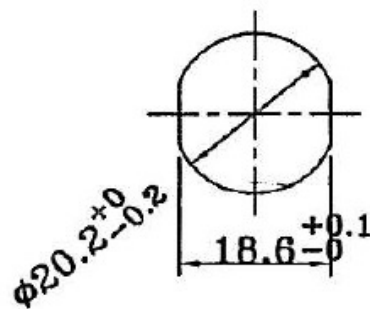
Waytek Stock No.	Illumination Color	Illumination Type
44237	Red	Fat Bat

Features:

- Body Material: Black Nylon 66
- Lens Material: PC
- Contact Material: Copper alloy, silver plated
- Voltage: 12 volts
- Maximum Current Rating: 20 amps
- Operating Temperature: -4°F to 185°F (-20°C to 85°C)
- Switch Function: 3P SPST On-Off (Illuminated)
- Contacts: 3/16" male terminals
- Contact Resistance: 50m ohm Max.
- Insulation Resistance: DC 500 V 100M ohm Min.
- Dielectric Strength: AC 1500V 1 minute



Mounting Hole



Circuit Diagram

