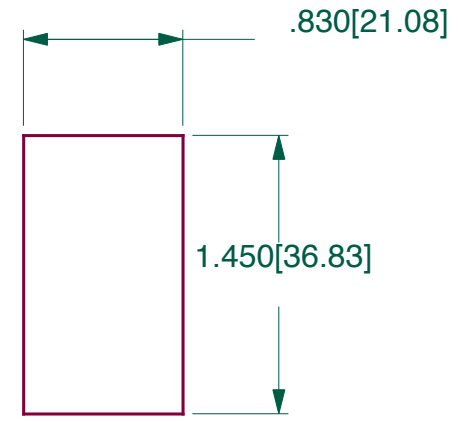


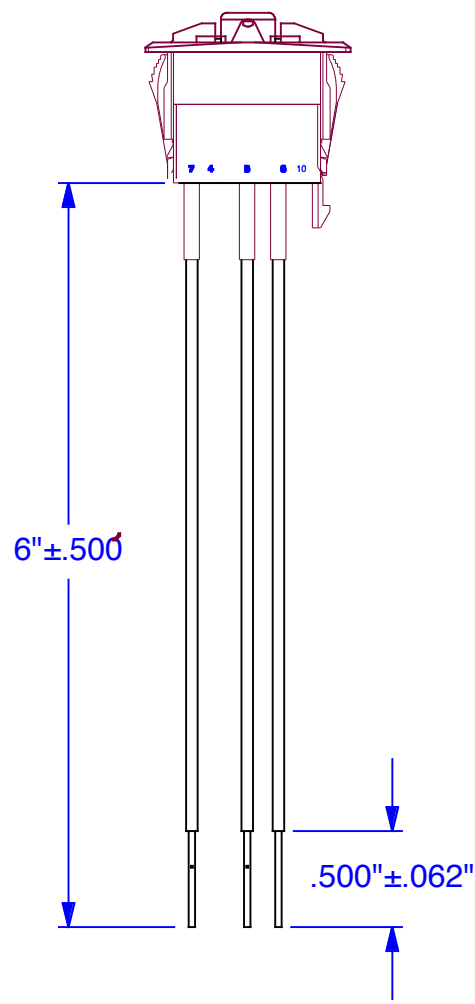
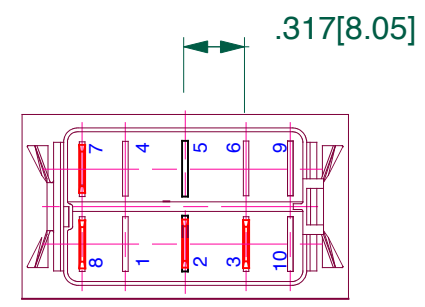
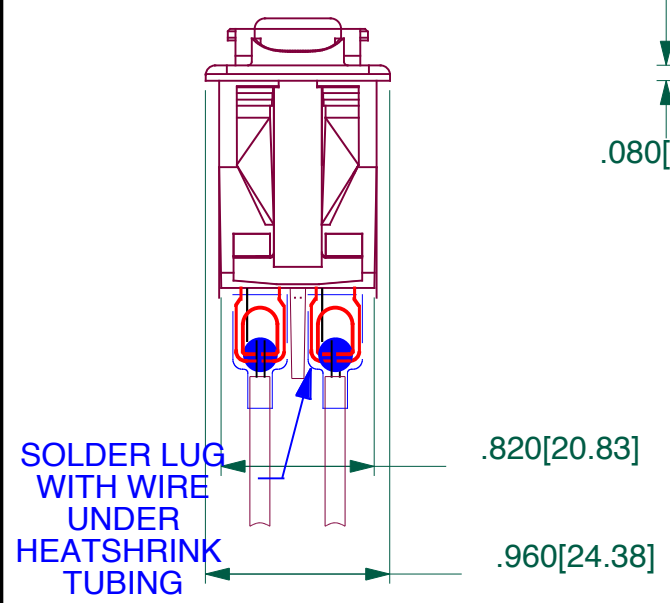
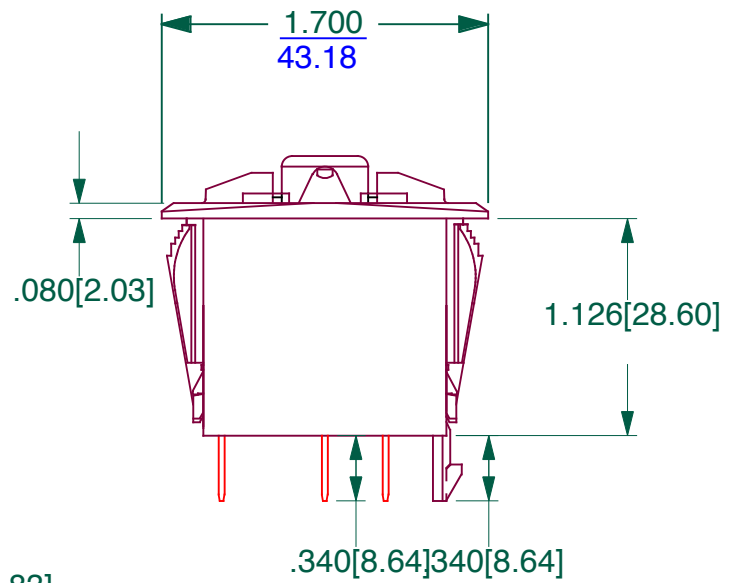
DO NOT SCALE DRAWING WORK TO FIGURES

DWG NO.
V1D6AT0B-00000-000-XDQC1
REV.

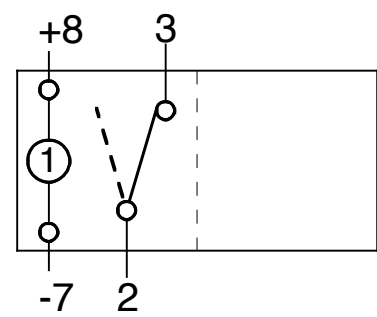
LET	REVISIONS	DATE
-----	-----------	------



POS 1 POS 2 POS 3



MOUNTING HOLE
PANEL THICKNESS (SNAP - IN BRACKET)
.030 MIN ---- .187 MAX
.76 4.75



CIRCUIT

RATING
20A - 12V

SWITCH FUNCTION

POS 1	POS 2	POS 3
ON	NONE	OFF

- NOTES:**
- BRACKET IS BLACK NYLON
 - IN DEPENDENT 12V SUPERBRIGHT RED LED
 - USE 6.00" SXL 14 AWG BLACK WIRES
 - PUT SHRINK TUBING OVER SOLDER CONNECTIONS ON BASE EPOXY SEALANT TO BOTTOM OF BASE ADD RTV BETWEEN BASE AND BRACKET

DIMENSIONS SUBJECT TO CHANGE WITHOUT NOTICE		FINISH			
PROPRIETARY NOTE: NOTICE TO ALL PERSONS RECEIVING THIS DRAWING. THIS DOCUMENT IS THE PROPERTY OF CARLING TECHNOLOGIES, INC. AND IS NOT TO BE DISCLOSED, REPRODUCED IN WHOLE OR IN PART OR USED FOR MANUFACTURING PURPOSES BY ANYONE WITHOUT THE CONSENT OF CARLING TECHNOLOGIES, INC.	UNSPECIFIED TOLERANCES		TOOL NO.	REV	TITLE
	X.XXX ±.015		DR BY	DATE	
	PROJECTIONS	DIMENSIONS IN [mm]	CHK BY	DATE	SIZE
			APPD BY	DATE	B
			USED ON	SCALE: FULL	SHT 1 OF 1