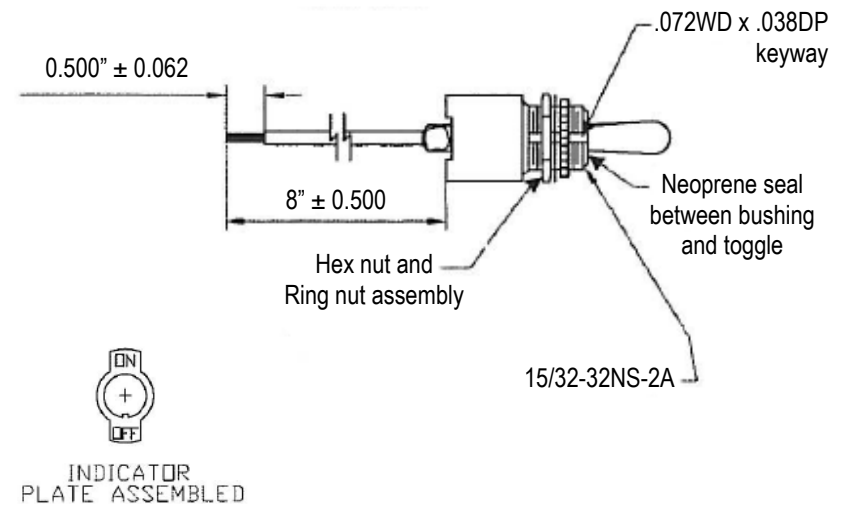
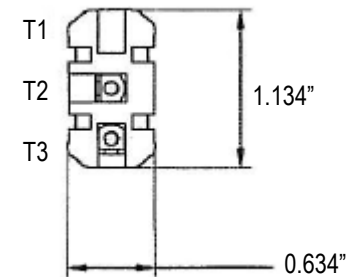


# Sealed Toggle Switch

Waytek Stock No.	Circuit	Type	Position 1	Position 2	Position 3
44280	on-off	SPST	On	None	Off
44281	(on)-off-(on)	SPDT	Mom. On	Off	Mom. On

## Features:

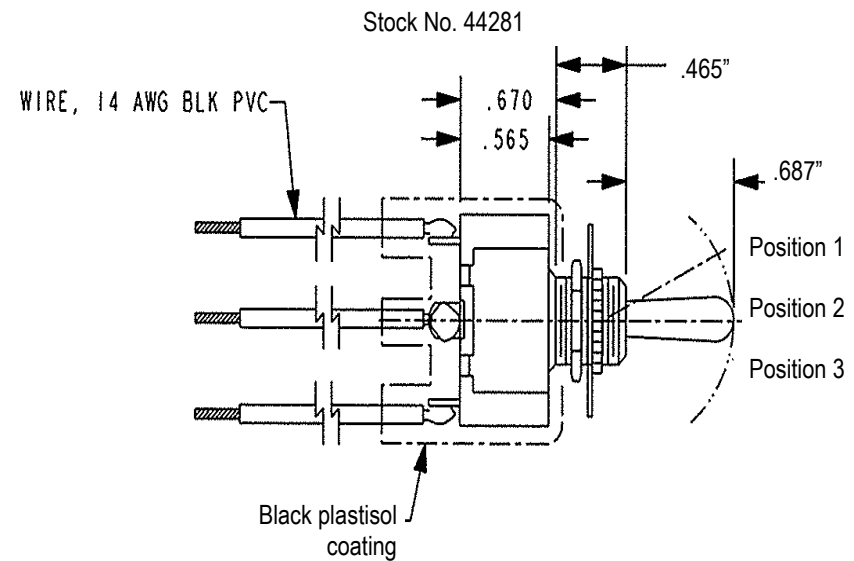
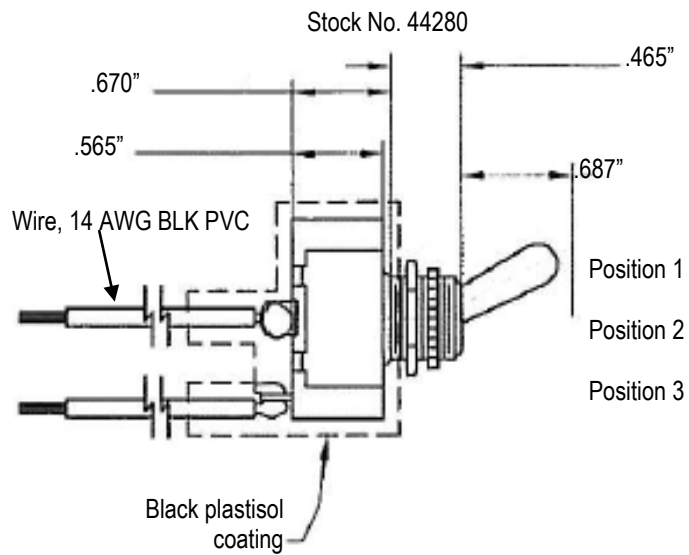
- Material: Toggle, bushing, ring nut and hex nut are nickel plated, black weather resistant plastisol coating, neoprene seal between toggle and bushing.
- Current: 20 amps
- Voltage: 12 volts DC
- Mounting Stem: .468" (15/32") dia., .375" (3/8") long
- 8" 14 ga black PVC coated wire



**UNCONTROLLED DOCUMENT**  
 All information provided by manufacturer  
 Updated 4/8/2011

# Sealed Toggle Switch

Waytek Stock No.	Circuit	Type	Position 1	Position 2	Position 3
44280	on-off	SPST	On	None	Off
44281	(on)-off-(on)	SPDT	Mom. On	Off	Mom. On



**UNCONTROLLED DOCUMENT**  
 All information provided by manufacturer  
 Updated 4/8/2011