

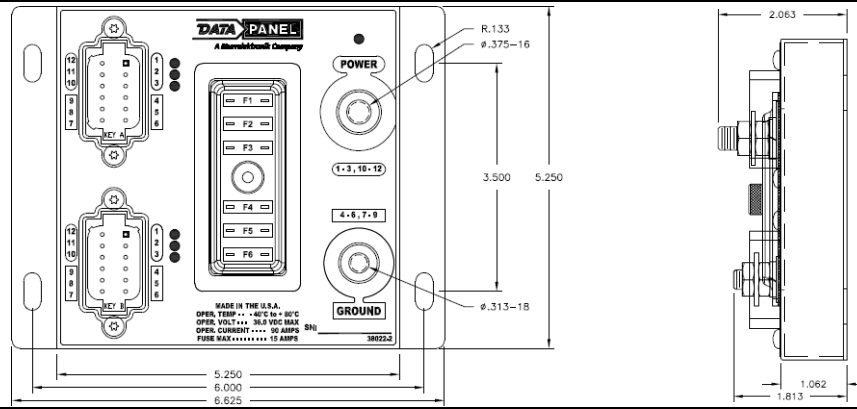
# Data Sheet

**DP-38022-2**

## PSF-2


**Power Splitter with  
Fuses, 2 Connector**

**36VDC MAX.  
Potted Exterior Duty**



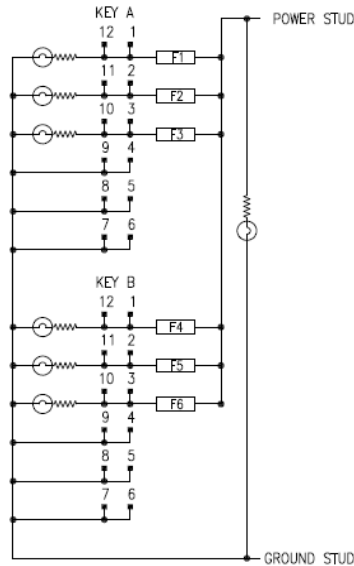
### Technical Data

Housing	Aluminum, black anodized
Cover	ABS, black, velvet matte with gasket
Dimensions (l x W x h)	6.625 x 5.25 x 2.063 inch
Installation	Screw connection 4 x 1/4" (not included) Cover thumb screw/captive washer 8-32 (included) 15amp fuse MAX. (fuses not included)
Mating connectors and Accessories	<ul style="list-style-type: none"> <li>Deutsch® Key A connector</li> <li>Deutsch® Key B connector</li> <li>Deutsch® size 20 Socket</li> <li>Deutsch® size 16 Socket</li> <li>Deutsch® Wedgelock</li> <li>Deutsch® Seal Plug</li> <li>Fuses</li> </ul>
Connector Kit-Includes mating key A (Gray) and Key B (Black) connectors, wedgelocks, 16 GA sockets, and seal plugs	<b>DP-38022-400</b>
Weight	600 g
Operating Voltage	36Vdc max
Input Current	90A max.
Output Current	13.5A per pin max continuous
Total Inputs	2 – 1 Main Power 3/8" Stud 1 Main Ground 5/16" Stud
Total Outputs	2 - 12 Pin connectors with 6 power and 6 ground in each
Torque specification	Power Stud (3/8-16): dry torque 154 in-lbs. Ground Stud (5/16-18): dry torque 86 in-lbs. Thumb Screw: dry torque 13 in-lbs.
Operating Temperature	-40...80° C
Storage Temperature	-40...80° C
Protection	IP67- Housing only, user to protect input studs
Diagnostics	Input LED - Illuminated on power and ground present Output LED – One per fuse, illuminated on fuse good

f	Revisions	11/15/18	DBa		Date	Name	<b>Data Sheet</b>  <b>PSF-2</b> <b>Power Splitter with Fuses – 2 Connector</b>
e	Revisions	09/17/18	DBa	Originator	07.25.18	DBa	
d	Revisions	08.20.18	DBa	Approved	08.20.18	DBa	
c	Revisions	8.08.18	TSh				
b	Second Draft	7.27.18	DBa				
Rev.	Description	Date	Name	 A Murrelektronik Company			<b>Art. No.: DP-38022-2</b>
a	First Draft	07.25.18	DBa	11/15/2018 DP-38022-2 DataSheet.doc			

Technische Änderungen vorbehalten / We reserve the right to change this specification  
 Vom EDV-System heruntergeladene bzw. ausgedruckte Dokumente besitzen informativen Charakter und unterliegen nicht dem Änderungsdienst. / Documents downloaded by the EDP system and/or printed out have only an informative character and are not subject to the updating service.

## Wiring Diagram




### Notes:

1. All power to vehicle must be turned off prior installation of the device.
2. The device should only be installed by a trained electrician following standard best practices
3. To maintain IP rating, sealing plugs need to be installed on all unpopulated positions on mating connectors.
4. To maintain IP rating, fuse cover needs to have gasket present and thumb nut manually tightened to dry torque 13 in-lbs. to maintain seal. Over tightening of fuse cover could result in cracking of the fuse cover and a degradation in the IP rating.
5. Fuses are rated at 15AMP Max each fuse (6 total).
6. Output LED's require an intact fuse or circuit breaker, open circuits yield un-lighted LED

### Test/Validation Data:

Validation data available upon request

Test Description:	Test Standard:
Storage Temperature	IEC 60068-2-1, Test Ad IEC 60068-2-2, Test Bb
Temperature Durability	IEC 60068-2-14, Test Nb
Temperature Shock	IEC 60068-2-14, Test Na
Humidity Soak	IEC 60068-2-27, Test Cab
Humidity Cycle	IEC 60068-2-30, Test Db
Water Ingress	EN 60529, Section 14
Mechanical Shock	IEC 60068-2-27, Test Ea
Mechanical Bump	IEC 60068-2-29, Test Eb
Mechanical Drop	IEC 60068-2-31, Test Ec
Vibration – Swept Sine	IEC 60068-2-6, Test Fc
Vibration – Random	IEC 60068-2-64, Test Fh
Vibration – Resonance Test	IEC 60068-2-6, Section 8.1
Max .Temp – Max. Current	JDQ 53.3, Section 9

f	Revisions	11/15/18	DBa		Date	Name	<b>Data Sheet</b>  <b>PSF-2</b> <b>Power Splitter with Fuses – 2 Connector</b>
e	Revisions	09/17/18	DBa	Originator	07.25.18	DBa	
d	Revisions	08.20.18	DBa	Approved	08.20.18	DBa	
c	Revisions	8.08.18	TSh				
b	Second Draft	7.27.18	DBa	 A Murrelektronik Company			Sheet 2 of 2
Rev.	Description	Date	Name				
a	First Draft	07.25.18	DBa	11/15/2018 DP-38022-2 DataSheet.doc			Art. No.: DP-38022-2