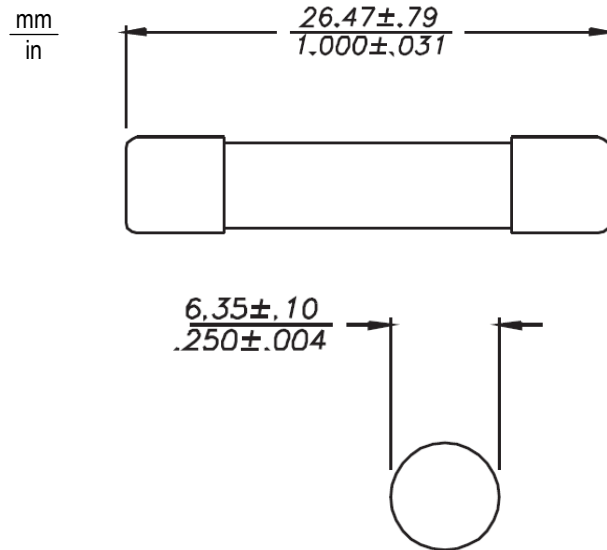


BK/AGX Fast Acting Glass Tube Fuses

Waytek Stock No.	Amps	Typical DC Cold Resistance (ohms)*
45489	1/8	5.41000
45491	1/4	2.79000
45493	1/2	0.47850
45495	1	0.16250
45497	2	0.06825
45499	3	0.03825
45501	5	0.02050
45503	7	0.01275
45505	10	0.00867
45507	15	0.00510
45509	20	0.00358
45511	25	0.00275
45513	30	0.00215

*DC Cold Resistance (measured at <10% of rated current)

DIMENSIONS



Electrical Characteristics		
Rated Current	% of Amp Rating	Opening Time
1/16 - 30A	110%	4 hours minimum
	135%	60 minutes maximum
1/16 - 2A	200%	5 seconds maximum
2.5 - 30A	200%	2 minutes maximum

Features:

- Fast-Acting
- Material: glass tube, nickel plated brass endcap
- For instruments, electronic and small appliance circuits
- Voltage: 250 volts AC (1/8A-2A), 125 volts AC (3A-7A), 32 volts AC (8A-30A)
- Interrupt Rating: 10,000A (1/8A-5A), 1,000 (7A-30A)
- UL Listed, meets standard 248-14
- UL Listed Card: AGX 0-5A (Guide JDYX, File E19180)
- UL Recognized Card: AGX 6-20A (Guide JDYX2, File E19180)
- CSA Component Acceptance Card: Class No. 1422-01, File 53787

BK/AGX Fast Acting Glass Tube Fuses

