

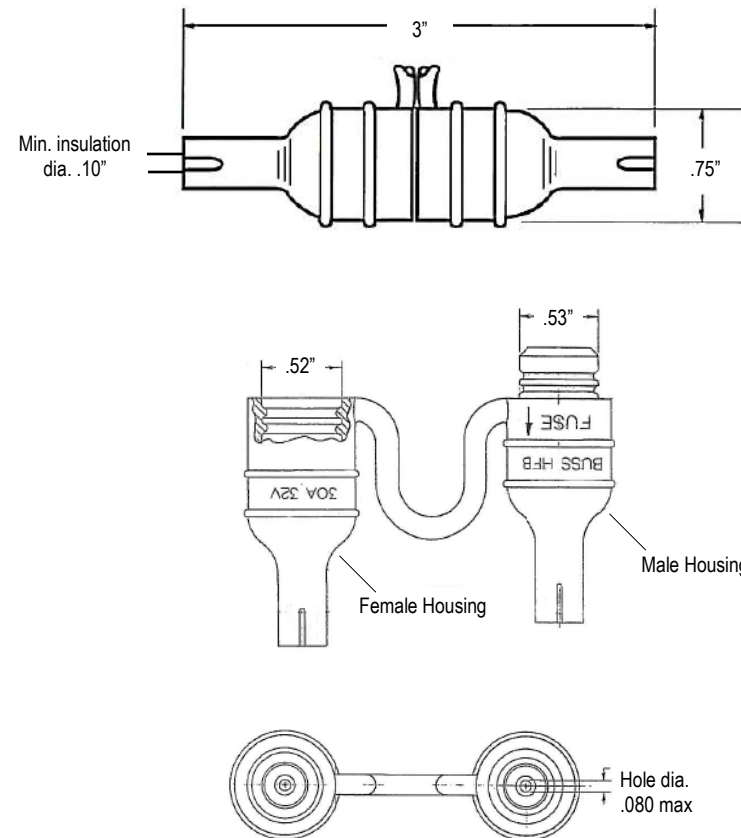
Waterproof In-Line Fuseholder

Waytek Stock No.	Fuse Accepted
46004	AGC/MDA

Features:

- Body Material: Thermoplastic rubber
- Contact Material: Copper with tin plating
- Fuse Type (not supplied): AGC/MDA
- Wire Gauge Capable of Accepting (not supplied): 18-12 ga
- Voltage: 32 volts
- Maximum Current Rating: 30 amps
- Operating Temperature: -40°F to 302°F (-40°C to 150°C)
- Waterproof for 2 hours to a depth of 1 foot with wire properly installed
- Vibration Resistance: Per Mil Standard 810C
- Humidity: 185°F(85°C)/85% R.H. for 96 hours
- Brittle Point: Less than -76°F (-60°C)
- Abrasion: 54% NBS Index
- Fluid Resistance: Type and Class AA, BA, BC, BE, CA, CE per ASTM D-2000 Standard Classification System for rubbers
- Flame Resistance: Pass FMVSS302 and rated slow burning when tested in accordance with U.L. 94HB
- Ozone Resistance: Passed 70 hours in 50 ppm ozone per ASTM D-5
- Salt Spray: 15% for 166 hours = 0% volume swell
- U.L. Flammability: 94 HB
- Temperature Rating (RTI): 212°F (100°C)

Notes:



UNCONTROLLED DOCUMENT
 All data provided by manufacturer
 Updated 1/5/2011

Waterproof In-Line Fuseholder

Typical Application Instructions:

- 1) Thread wire through housing
- 2) Strip insulation per strip gauge
- 3) Crimp fuse clip to wire
- 4) Pull wire and seat fuse clip in housing
- 5) Insert fuse
- 6) Snap housings together

Recommended Crimping Tool

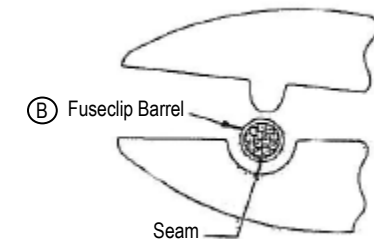
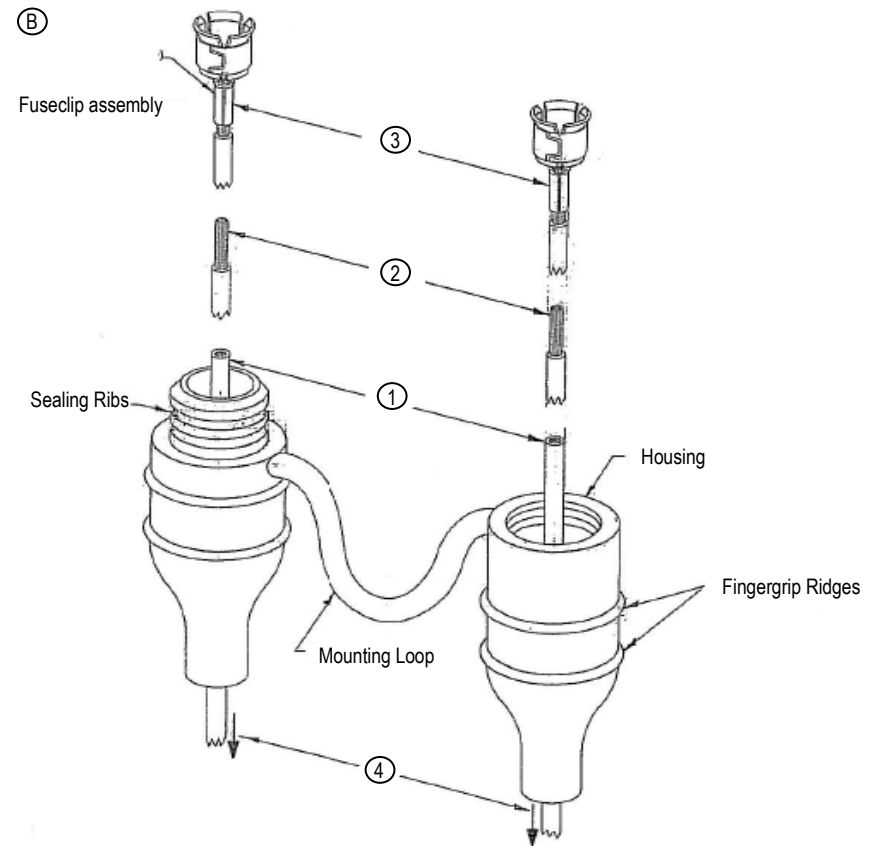
- 1) Thomas & Betts Stock No. 456

Xenon Arc Weatherometer

Time (Hrs.)	Tensile Strength (psi)	Elong. (%)	100% Mod. (psi)
0	1100	375	470
500	1130	350	520
1000	1190	350	520

Heat Aging (1% retention of mechanical properties at 257°F (125°C))

Parameters	Days				
	1	7	15	30	41.7
Tensile Stgth	100	105	115	120	120
% Elongation	90	90	90	90	90
100% Mod.	105	110	120	120	120



(B) Fuseclip Barrel orientation for optimum crimp