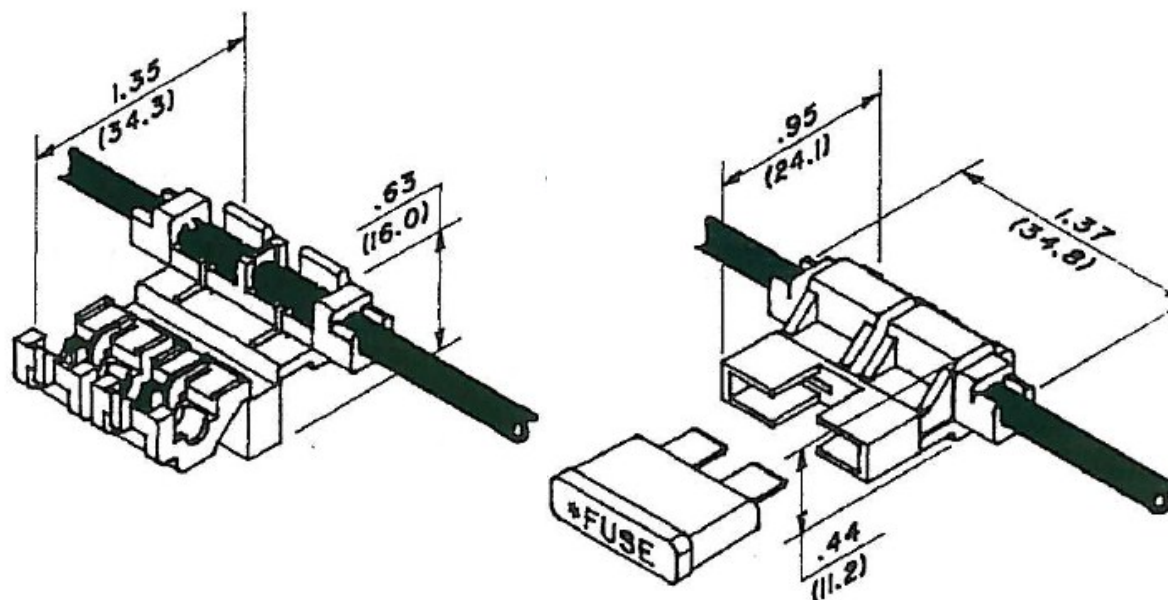


Self-Stripping In-Line Blade Type Fuseholder

Waytek Stock No.	Fuse Accepted
46031	ATO/ATC

Features:

- Body Material: Blue Polypropylene
- Contact Material: Tin plated copper alloy .03" (.8mm) thick
- Fuse Type (not supplied): ATO / ATC
- Wire Capable of Accepting (not supplied): 18-14 ga GPT
- Voltage: 32 volts
- Maximum Current Rating: 20 amps
- Operating Temperature: 221°F (105°C)



Notes:

Installation:

1. Cut wires but do not strip insulation from wire ends
2. Insert a wire end into one of the wire channels until it butts up against the wire stop
3. Fold that half of the connector body over until the element contacts the wire
4. Crimp that half of the connector closed with a mechanics (slip joint) pliers
5. Repeat steps 2,3 and 4 for the other wire
6. Slide fuse all the way into the fuse port (fuse not included)

