

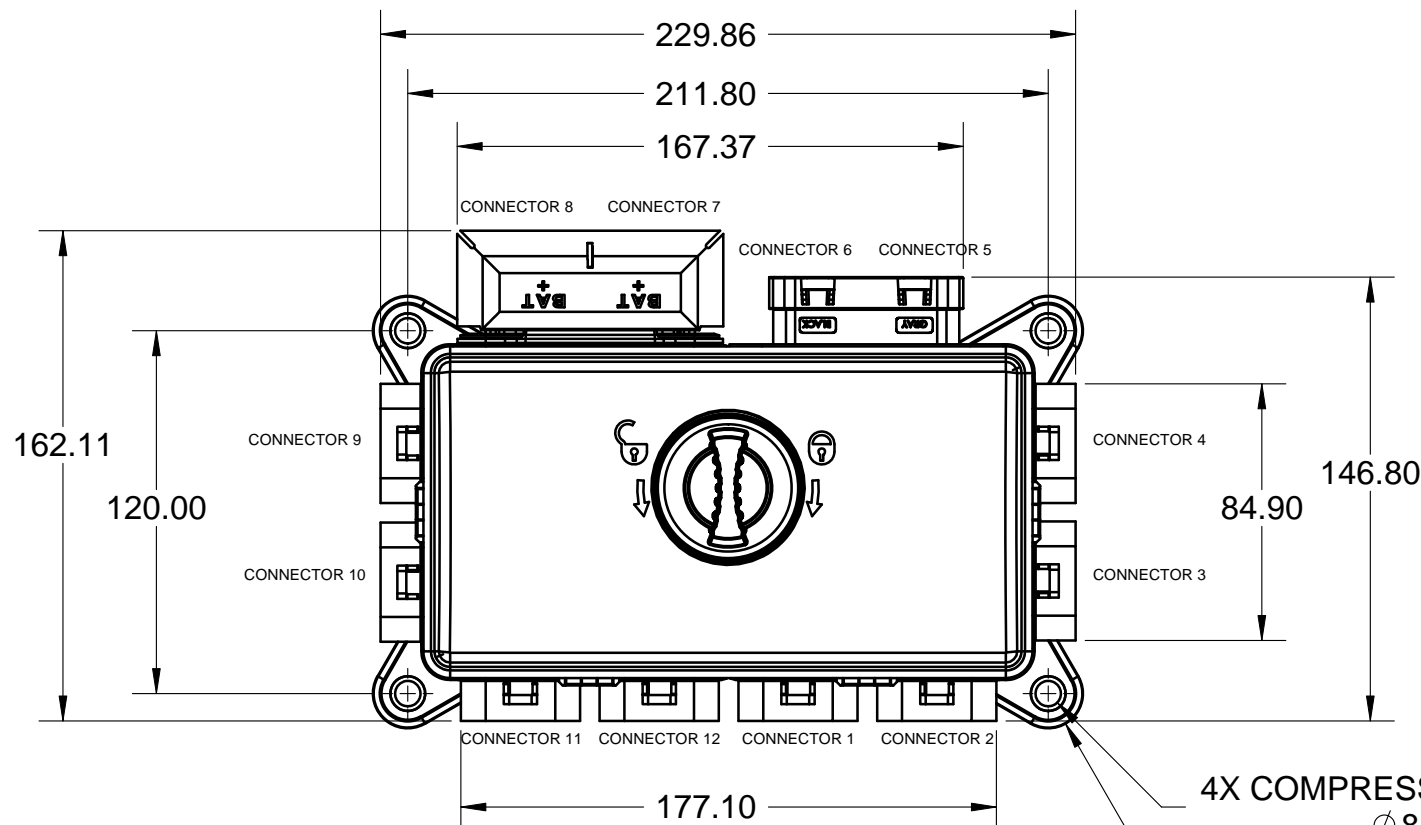
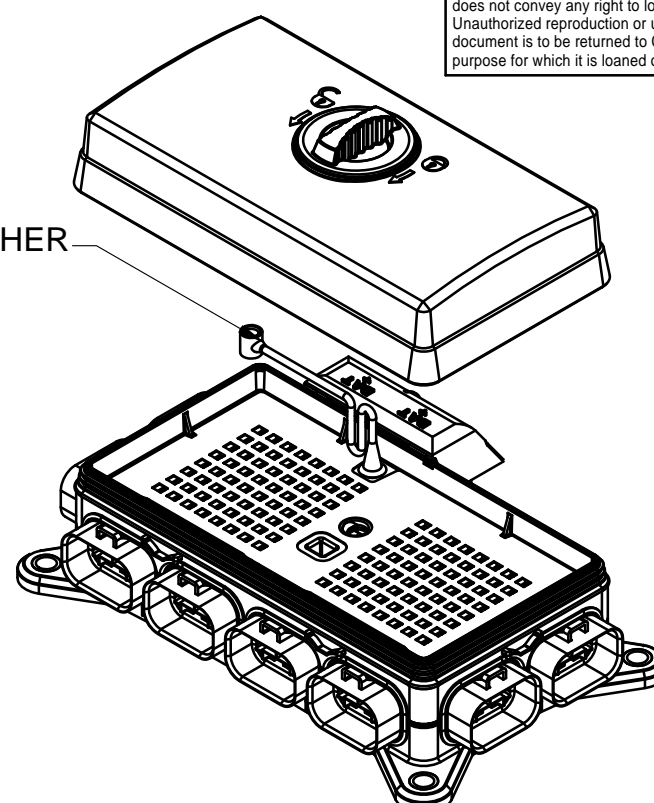
# 32S-XXX-X(X)

OPTIONAL - U INDICATES VEC IS UNSTUFFED  
 ELECTRICAL REVISION  
 CUSTOMER PART NUMBER

**CONFIDENTIAL -**  
 The information contained in this document is the property of Cooper Industries, Inc. It is not for public disclosure. Possession of the information does not convey any right to loan, sell, or disclose the information. Unauthorized reproduction or use of the information is prohibited. This document is to be returned to Cooper Industries, Inc. upon completion of the purpose for which it is loaned or upon request.

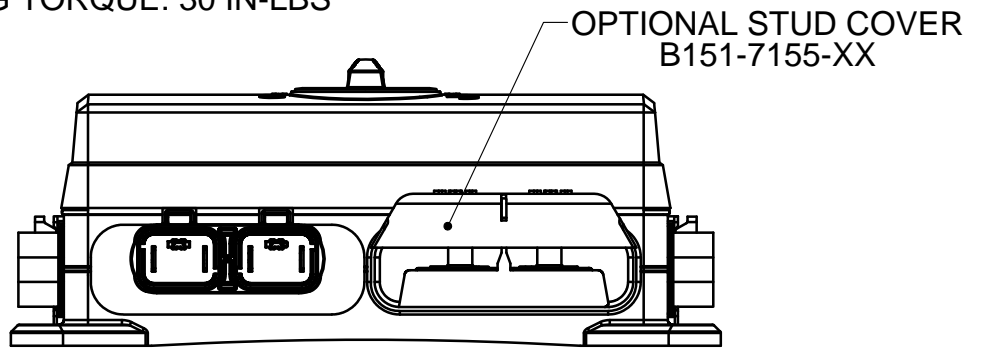
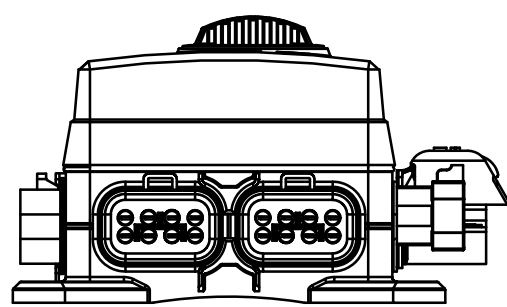
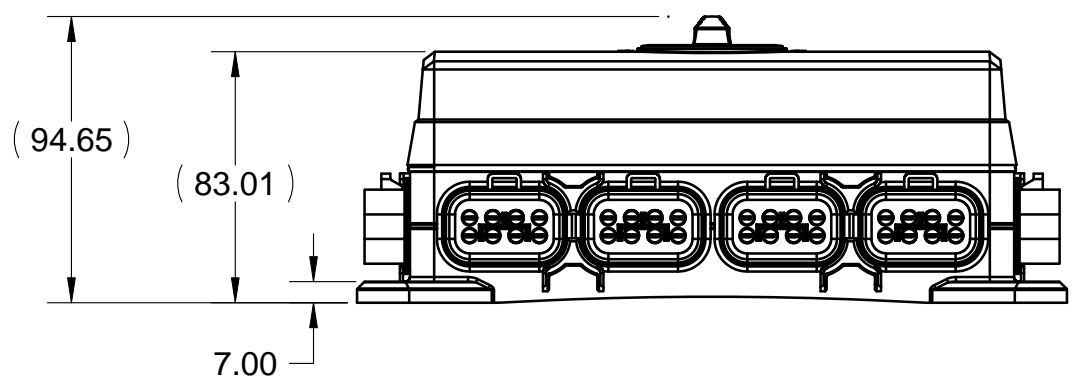
**COPYRIGHT** Cooper Industries, Inc.  
 This is an unpublished work. The disclosure of this work is limited to a select personnel. Further dissemination or disclosure to the public is PROHIBITED.  
 This unpublished work is protected by Federal Copyright Law and all rights thereunder are reserved by Cooper Industries, Inc.

REVISION			
REV	DESCRIPTION	DATE	BY
P2	PRELIMINARY	10/07/10	KF
P3	REMOVED OPTIONAL BUSBAR	11/12/10	KF
P4	ADDED OPTIONAL COVER TETHER	12/10/10	KF
P5	REMOVED REF. & INCREASED PRECISION: 211.80, 229.86, 120.00, 162.11, 146.80 & ADDED: 84.90, 167.37, 177.10. 4X R11.50 & 7.00	02/10/11	KF



**NOTES & FEATURES:**

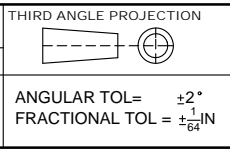
- SEVERE SERVICE VEC CAN ACCOMODATE UP TO 8 - 8 POSITION 280 SERIES I/O CONNECTORS WHICH ARE KEYED & COLOR CODED\*.
- POWER INPUT CAN BE ACHIEVED IN VARIOUS WAYS:  
 4 - 2 POSTION 800 SERIES INPUT CONNECTORS (KEYED & COLOR CODED)\*  
 4 - M8 X 1.25 INPUT STUDS\*  
 OR A COMBINATION OF 2 INPUT CONNECTORS (AS SHOWN ABOVE)\*  
 \*CONNECTORS 9 AND 10 ARE UNAVAILABLE IF CONNECTORS 7 AND 8 ARE 800 SERIES INPUT CONNECTORS.
- 8 SPARE FUSE SLOTS
- OPTIONAL FUSE/BREAKER PULLER
- RECOMMENDED INPUT STUD TORQUE: 15 FT-LBS
- MAX INPUT STUD TORQUE: 18 FT-LBS
- RECOMMENDED MOUNTING TORQUE: 24 IN-LBS
- MAX MOUNTING TORQUE: 30 IN-LBS
- IP66 RATING



4X COMPRESSION LIMITER  
 Ø8.40  
 4X R11.50



TOLERANCES UNLESS OTHERWISE SPECIFIED		
METRIC (mm)	ENGLISH (in)	
1 PL DEC.= .25±	2 PL DEC.= .01±	
2 PL DEC.= .13±	3 PL DEC.= .005±	



○ CAPSULE AROUND DIMENSION INDICATES INCOMING INSPECTION REQUIRED  
 △ INDICATES CRITICAL CHARACTERISTIC (MUST MEET CPK REQUIREMENTS)

Plant Code:  
 Design Units  
 METRIC

For change history please consult the Bussmann Engineering Change Notice number listed below.

TITLE  
**SEVERE SERVICE DUAL VEC ASSEMBLY**  
 SHEET 1 OF 1  
 SCALE 1:2  
 REVISION VERSION P5

DATE 09/28/10  
 DRAWN BY K FITCH  
 PART NO. 32S-XXX-X-SALES  
 Ref. Name: 32S-XXX-X(X)-SALES