

High Amp Heavy Duty Circuit breaker |

SWITCHABLE MANUAL TRIP PUSH BUTTON

Waytek Stock No.	Bussmann 28X Series Amps Stock No.	
46689	285050F-121-S	50
46690	285060F-121-S	60
46691	285080F-121-S	80
46692	285100F-121-S	100
46693	285120F-121-S	120
46694	285150F-121-S	150



Features:

Single Pole Thermal Type Breakers

Applications: Typically used in auxiliary and accessory circuits in truck, bus, RV and marine systems. Others include battery chargers and DC audio systems.

Rating: 25-200A; 48VDC max

Interrupt Rating: 3,000A @ 48VDC

Operating Temperature Rating: -40°C to 85°C

Storage Temperature Rating: -40°C to 125°C

Materials: Black thermoset plastic. Thermoplastic elastomer stud insulators are

Marking: Standard marking includes amp ratings and part numbers. Custom markings also available.

Termination: M6 threaded stainless steel studs.

Torque Rating: M6 50in-lb (5.6Nm) max

Mounting Torque Rating: Panel or surface-mount options; 50in-lb (5.6Nm) max.

Ingress Protection Rating: IP67.

Features / Options: The Series 285 has a unique yellow reset mechanism which provides

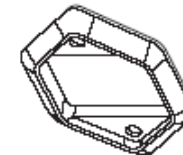
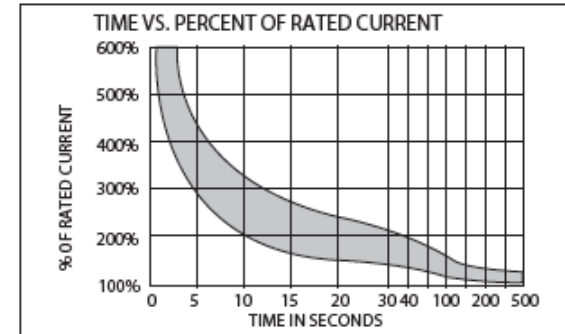
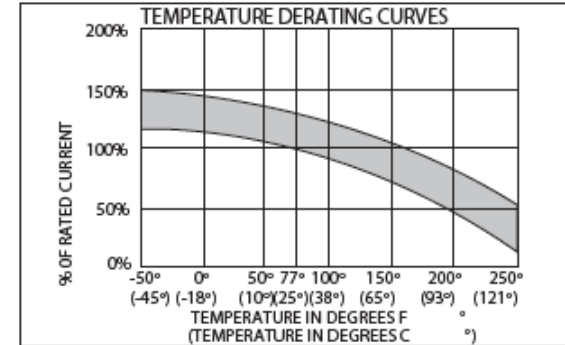
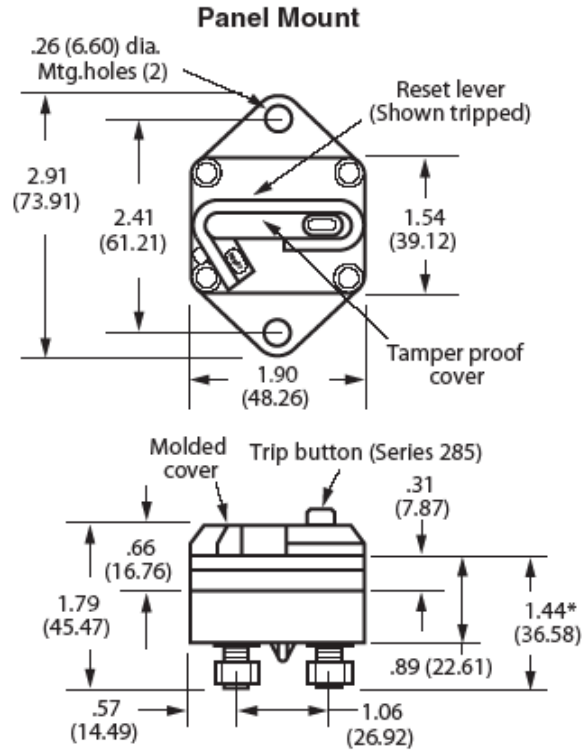
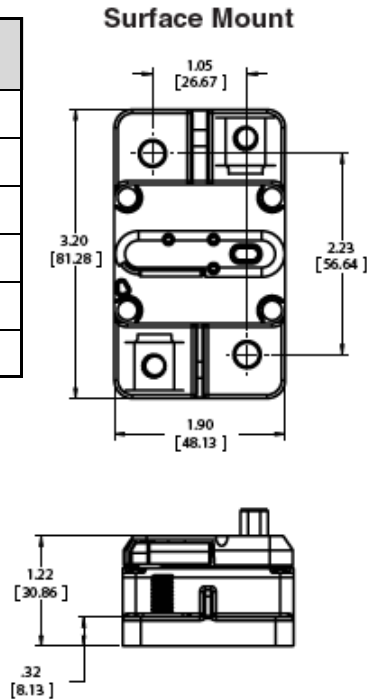
visual indication of tripped condition. Series 285 also features a red push-to-trip option.

Compliances: SAE J1625; ABYC E-11; CE; SAE J1171 (Ignition Protected).

High Amp Heavy Duty Circuit breaker

DIMENSIONS (Dims. shown are for reference only. Consult factory for latest prints)

Stock No.	Amps
46689	50
46690	60
46691	80
46692	100
46693	120
46694	150



Flange mount gasket for thru-wall applications (option 07)

PART NUMBERING SYSTEM

Series	Rating	Mounting	Hardware	Terminal	Marking
2 8 8	025 - 25 amps 030 - 30 amps 035 - 35 amps 040 - 40 amps 050 - 50 amps 060 - 60 amps 070 - 70 amps 080 - 80 amps 090 - 90 amps 100 - 100 amps 110 - 110 amps 120 - 120 amps 135 - 135 amps 150 - 150 amps 200 - 200 amps	F - Surface Mount P - Panel Mount	00 - No hardware 12 - Stainless nuts and lockwashers installed	1 - M6	0 - Blank cover 1 - Standard Marking; Part Number, Amp Rating S - Standard Ignition Protected Marking (Consult factory for special markings.)

UNCONTROLLED DOCUMENT
All information is provided by manufacturer.
Updated 6/08/2011

www.waytekwire.com
Phone | 800.328.2724 | 952.949.0765
Fax | 800.858.0319 | 952.949.0965

High Amp Heavy Duty Circuit breaker

Comparable to:

Generation 2 Stock No.	Generation 1 Stock No.	Amps
46689	46980	50
46690	46981	60
46691	46983	80
46692	46985	100
46693	46987	120
46694	46989	150

Differences are stud placement.

Generation 1 Hi-Amp: 0.345"



Generation 2 Hi-Amp: 0.472"

