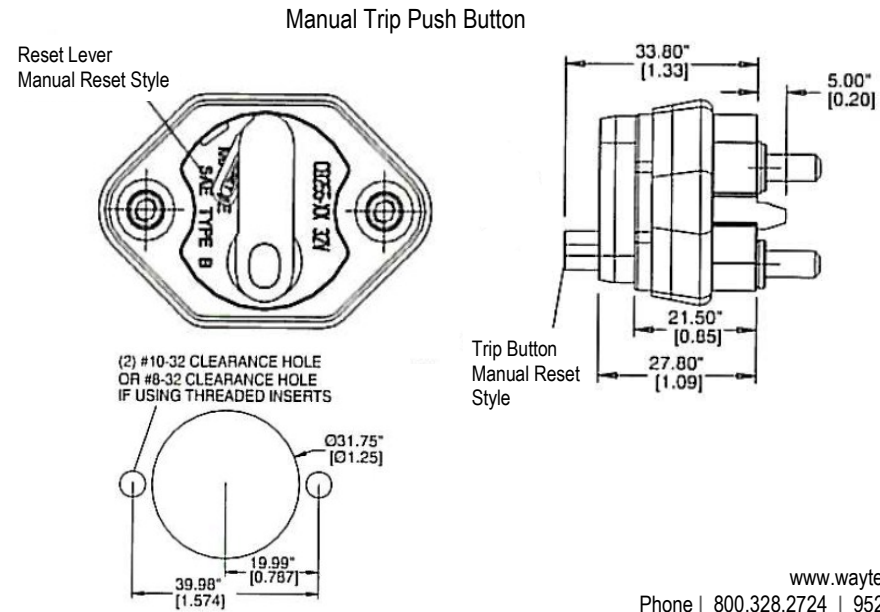
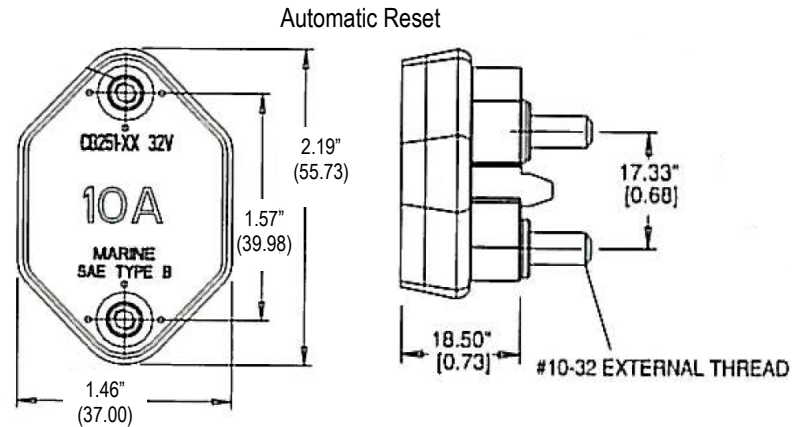


# Mid-Range Circuit Breakers

Amps	Switchable w/ Manual Trip Push Button Stock No.	Automatic Reset Stock No.
10	46970	46950
15	46971	46951
20	46972	46952
25	46973	46953
30	46974	46954
35	46975	46955
40	46976	46956
50	46977	46957

### Features:

- Body Material: UL Rated 94V-0 thermoset plastic body, cover has a black thermoplastic elastomer overmold
- Voltage: 32 volts
- Interrupt Rating: Circuit Protection: (2.5kA) per ABYC E-11
- Operating Temperature: -40°F to 185°F (-40°C to 85°C)
- Termination: #10-32 threaded studs
- Single Pole Thermal Type Breakers
- Torque Rating: 24in-lb (2.7Nm) max
- Mounting Torque Rating: Panel mount with either #8-32 threaded inserts or #10 clearance holes. 18in-lb (2.0Nm) max
- IP66, SAEJ553; ABYC E-11; SAE J1171



UNCONTROLLED DOCUMENT  
Updated 5/5/10

# Mid-Range Circuit Breakers

