

Compact ATO/ATC Fuse Blocks

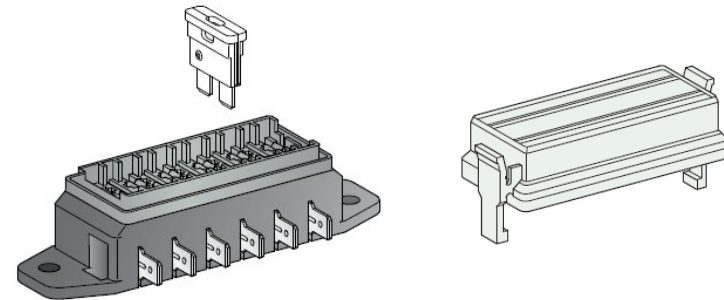
Waytek Fuse Block Stock No.	Waytek Cover Stock No.	No. Of Fuses	Maximum Load (amps)
47085	47086	4	20A/way, 80A total
47087	47088	6	20A/way, 100A total
47089	47090	8	20A/way, 135A total

Features:

- Base Material: Black Nylon PA66
- Cover Material: PA12
- Terminal Material:
- Fuse Type (not supplied): Mini
- Voltage: 32V DC
- Operating Temperature: -30-85C

Note:

Replacement for 46070, 46071, 46072, 46073 (see page 5 for the differences)



UNCONTROLLED DOCUMENT

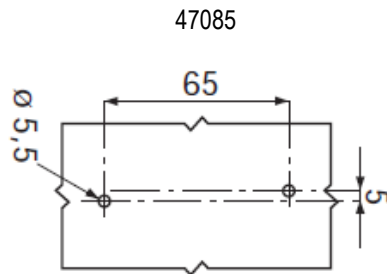
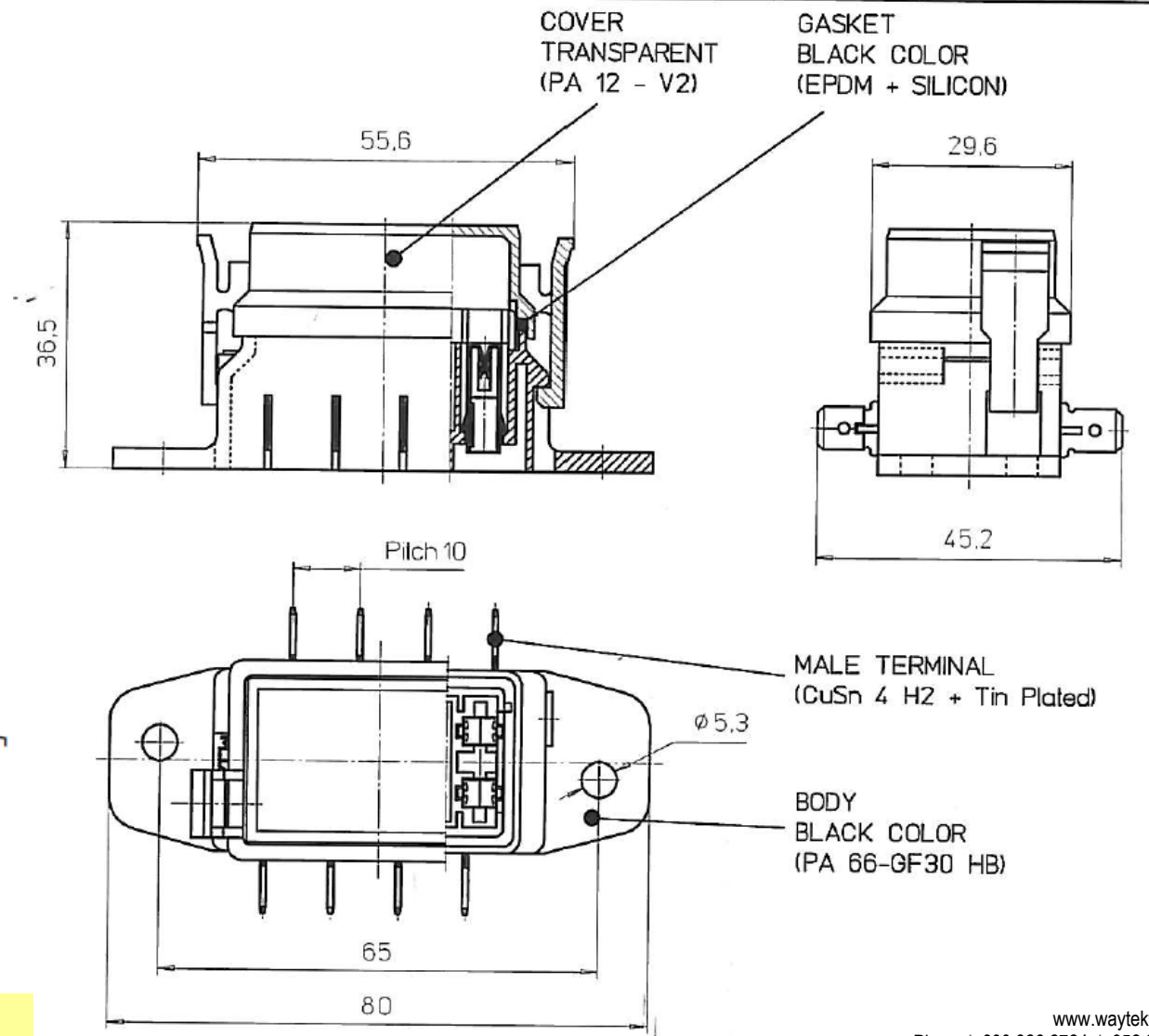
All information provided by manufacturer
Updated 4/11/2011

www.waytekwire.com
Phone | 800.328.2724 | 952.949.0765
Fax | 800.858.0319 | 952.949.0965

Compact ATO/ATC Fuse Blocks

Waytek Fuse Block Stock No.	Waytek Cover Stock No.
47085	47086

- Operating Temperature:
-22° to 185° F
(-30° to 85° C)

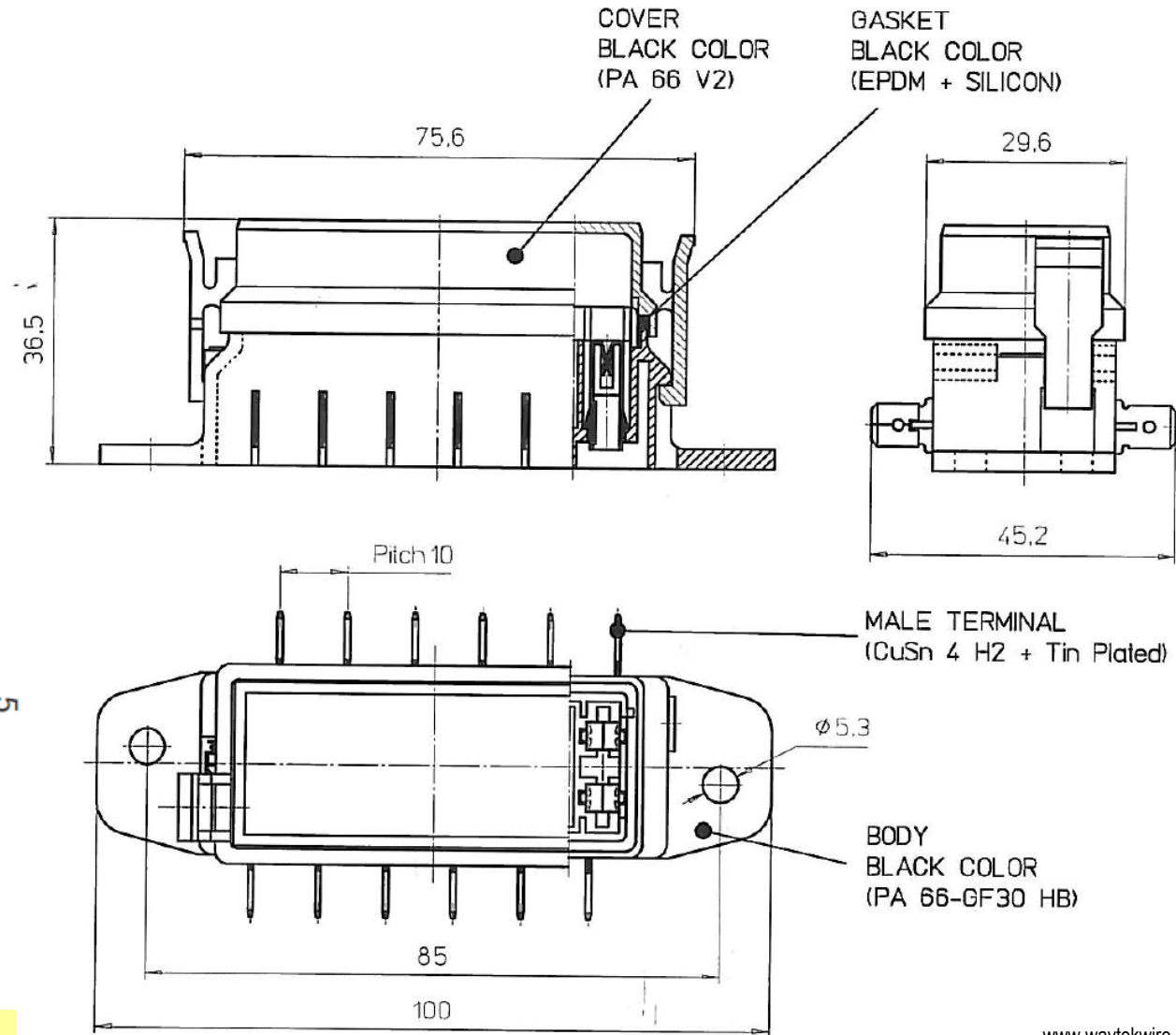


UNCONTROLLED DOCUMENT
All information provided by manufacturer
Updated 4/11/2011

Compact ATO/ATC Fuse Blocks

Waytek Fuse Block Stock No.	Waytek Cover Stock No.
47087	47088

- Operating Temperature:
-22° to 185° F
(-30° to 85° C)

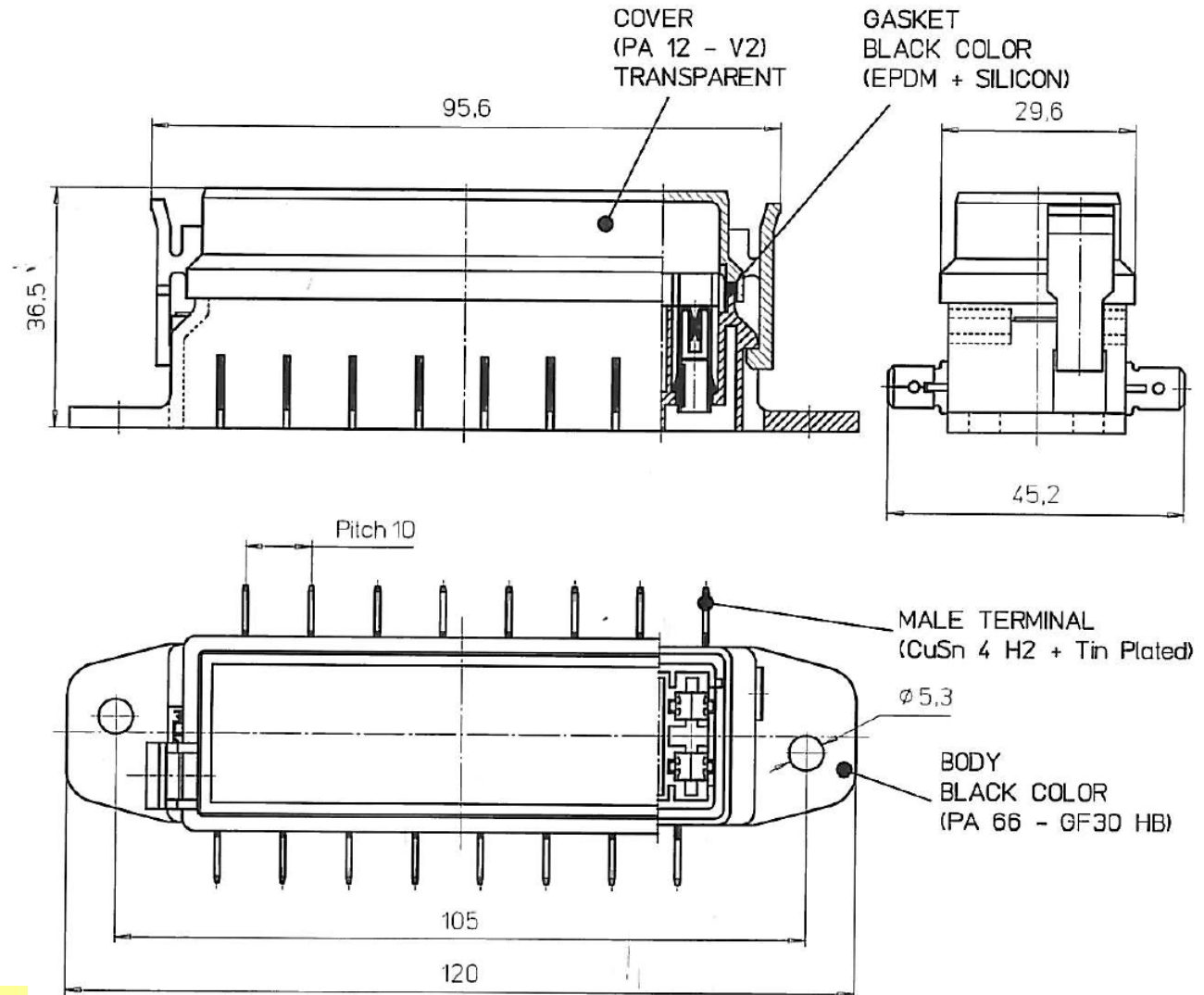


UNCONTROLLED DOCUMENT
All information provided by manufacturer
Updated 4/11/2011

Compact ATO/ATC Fuse Blocks

Waytek Fuse Block Stock No.	Waytek Cover Stock No.
47089	47090

- Operating Temperature:
-22 to 212 F
-30 to 100 C



UNCONTROLLED DOCUMENT
All information provided by manufacturer
Updated 4/11/2011

Compact ATO/ATC Fuse Blocks

Waytek Stock No.	No. Of Fuses	Maximum Load (amps)	A inches	B inches	C inches	D inches	E inches	F inches	G inches	H inches	I inches	J inches
46070	4	30	2.57	3.24	.20	.21	1.20	1.19	1.77	1.50	.20	1.94
46071	6	45	3.33	4.02	.20	.21	1.20	1.19	1.77	1.49	.20	2.71
46072	8	60	4.12	4.81	.20	.21	1.20	1.19	1.77	1.49	.20	3.50
46073	10	90	4.90	5.60	.20	.21	1.20	1.19	1.77	1.49	.20	4.29

Features:

- Base Material: Nylon PA66 + 15% Fiber
- Cover Material: Clear Polycarbonate Resin
- Terminal Material: Copper (tin plating)
- 1/4" male blade side insertion
- Fuse Type (not supplied): ATO/ATC
- Voltage: 12 volts DC
- Operating Temperature: -4°F to 185°F (-20°C to 85°C)

Notes:

