

Metal LED Indicator Light

Waytek Stock No.	Illumination Color	Typical Luminous Intensity @ If=20mA	Typical Forward Current @ Vf=12V	Max Forward Current @ Vf=13V	Reverse Breakdown @ Ir=100uA	Peak Wavelength	Dominant Wavelength	Power Dissipation	Derate/ °C >Ta
47662	Red	2800 mcd	19.5~21	23	5	634	629	299	4.5 mW
47664	Amber	2800 mcd	19.5~21	23	5	592	590	299	4.5mW
47665	Green	1200 mcd	17~18.5	21	*5	520	525	273	4.1mW
47666	Blue	800 mcd	17~18.5	21	*5	465	470	273	4.1mW

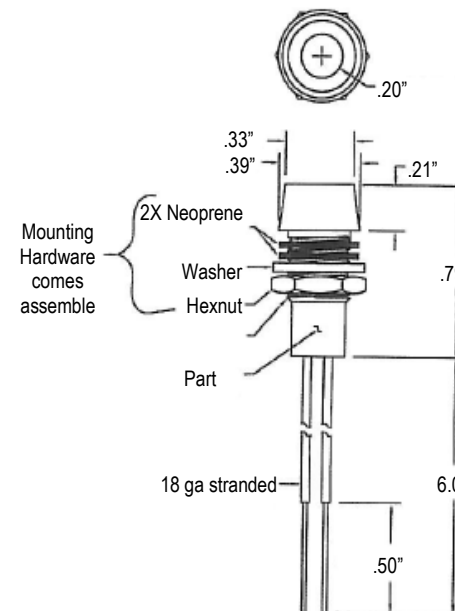
*@ Ir=50uA

Features:

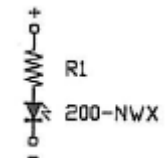
- Material: Housing-chrome plated bronze; Gasket-neoprene
- Operating Temperature: -40°F <+ 212°F (-40°C <+ 100°C)
- Mounting: Threaded sleeve
- Bulb: Clear LED
- 6" 18 ga red and black UL 1015 wires; stripped .50"

Notes:

- Watertight
- GaInN LEDs are class 1 ESD sensitive (MIL-STD-1686). Exceeding absolute maximum ratings may cause damage to, or possibly result in catastrophic failure of these devices. Use appropriate ESD precautions during handling and operation.



Circuit Diagram



UNCONTROLLED DOCUMENT
 All information provided by manufacturer
 Updated 4/1/2011