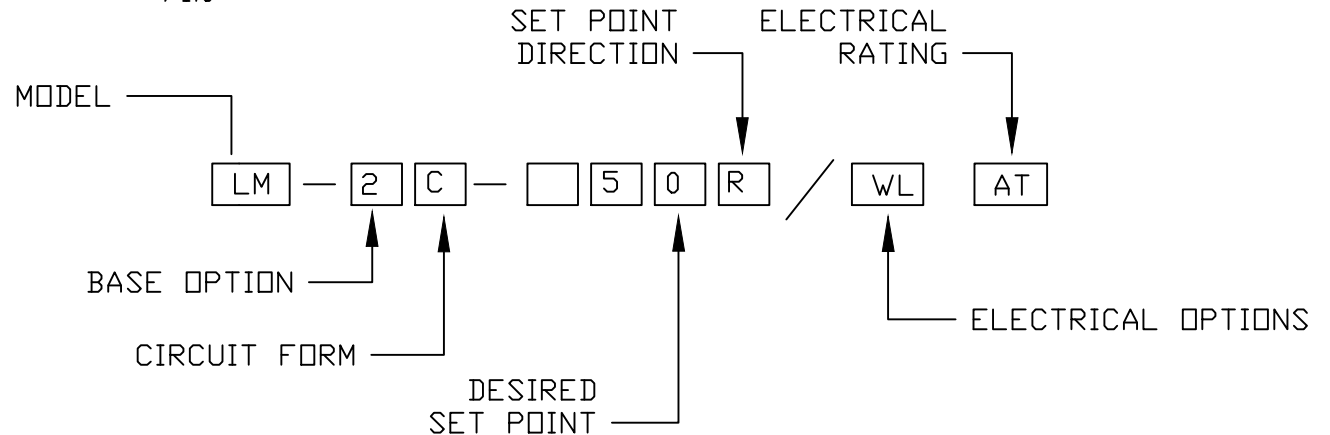
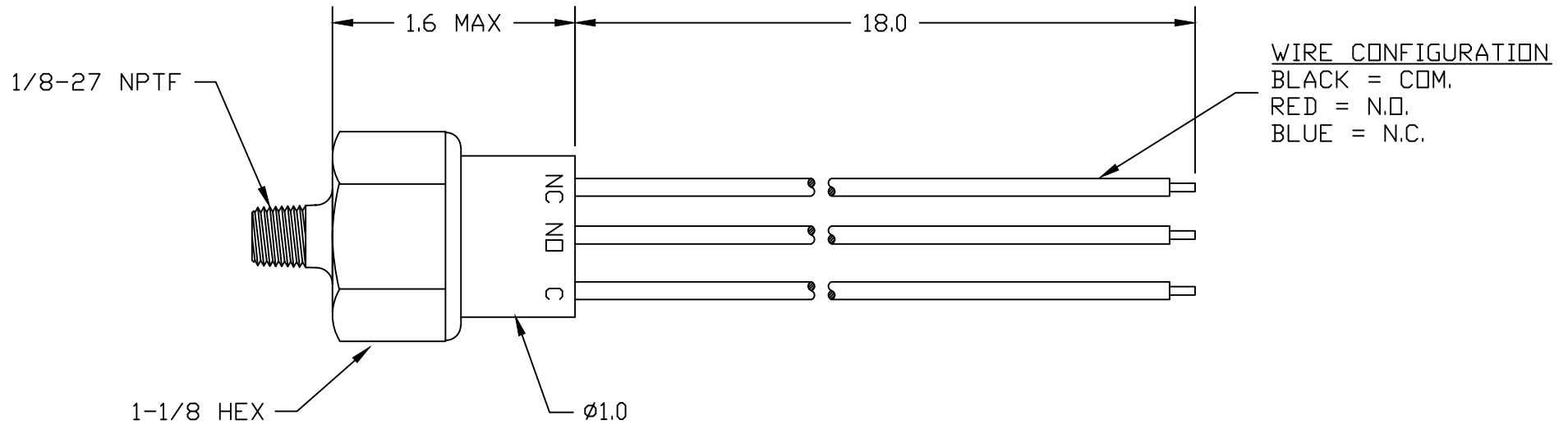


DRAWING NUMBER  
LM-2C-\_\_\_R/WLAT

REV	DATE	DESCRIPTION	BY



CIRCUIT: SPDT- (SINGLE POLE DOUBLE THROW)  
 TERMINATION: (3) 18 AWG 125°C WIRE LEADS.  
 RATING: 10 AMP  
 SET POINT RANGE: 10 TO 300 PSI IN 5 PSI INCREMENTS.  
 OPERATION: CIRCUIT TO TRANSFER AT DESIRED SET POINT  
 RISING PRESSURE ±5% OF SET POINT.

MAX OPERATING PRESSURE: 2000 PSI

MATERIALS:

- BASE- BRASS
- SWITCH HOUSING- G/F NYLON
- DIAPHRAGM- BUNA N

<b>NASON</b>			
P.O. BOX 505 WEST UNION, SC 29696			
Ph: (864)638-9521		Fax: (864)638-7903	
CUSTOMER	WAYTEK	DATE	7/23/12
		DRAWN BY	J.D.C.
REFERENCE AREA		SCALE	1 : 1
		APPROVED BY	
TITLE	PRESSURE SWITCH MODEL / LM	CHANGE ON CAD ONLY.	
		DRAWING NUMBER	LM-2C-___R/WLAT