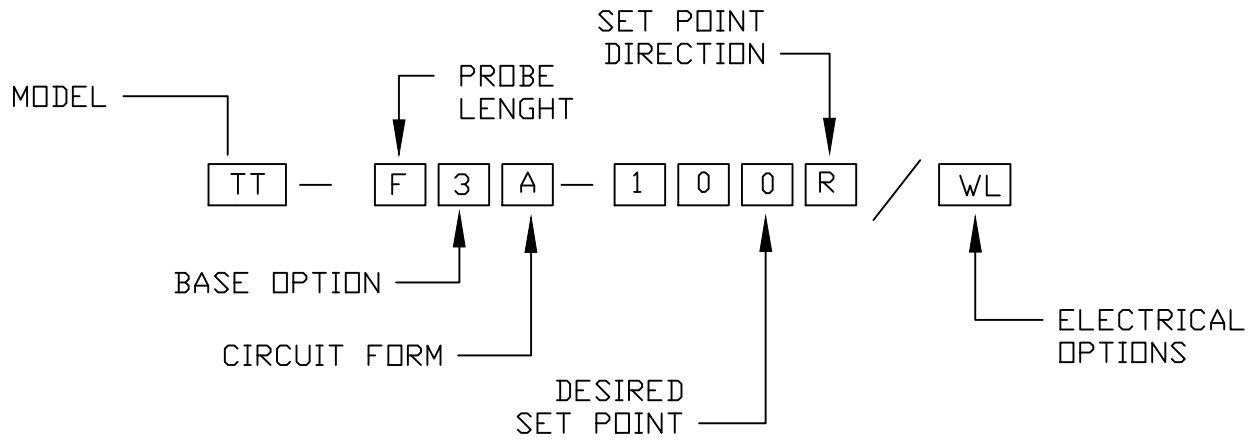
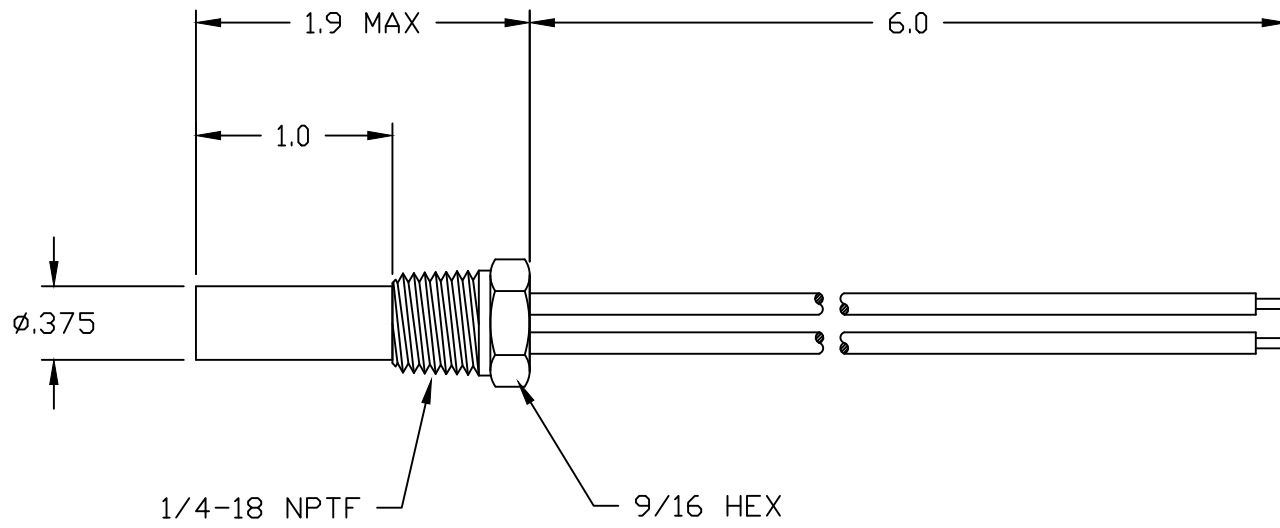


DRAWING NUMBER
TT-F3A-___R/WL

REV	DATE	DESCRIPTION	BY



CIRCUIT: SPST-NO (SINGLE POLE SINGLE THROW-NORMALLY OPEN)
 TERMINATION: 6 INCH 18 AWG WIRE LEADS.
 RATING: 3 AMP
 SET POINT RANGE: 40° TO 300°F IN 5° INCREMENTS.
 OPERATION: CIRCUIT TO CLOSE AT DESIRED SET POINT ±5°F
 RISING TEMPERATURE.

MATERIALS:
 BASE- BRASS

NASON P.O. BOX 505 WEST UNION, SC 29696		
Ph: (864)638-9521 Fax: (864)638-7903		
CUSTOMER WAYTEK	DATE 7/23/12	DRAWN BY J.D.C.
REFERENCE AREA	SCALE 1 : 1	APPROVED BY
TITLE TEMPERATURE SWITCH MODEL/TT		CHANGE ON CAD ONLY.
DRAWING NUMBER TT-F3A-___R/WL		