

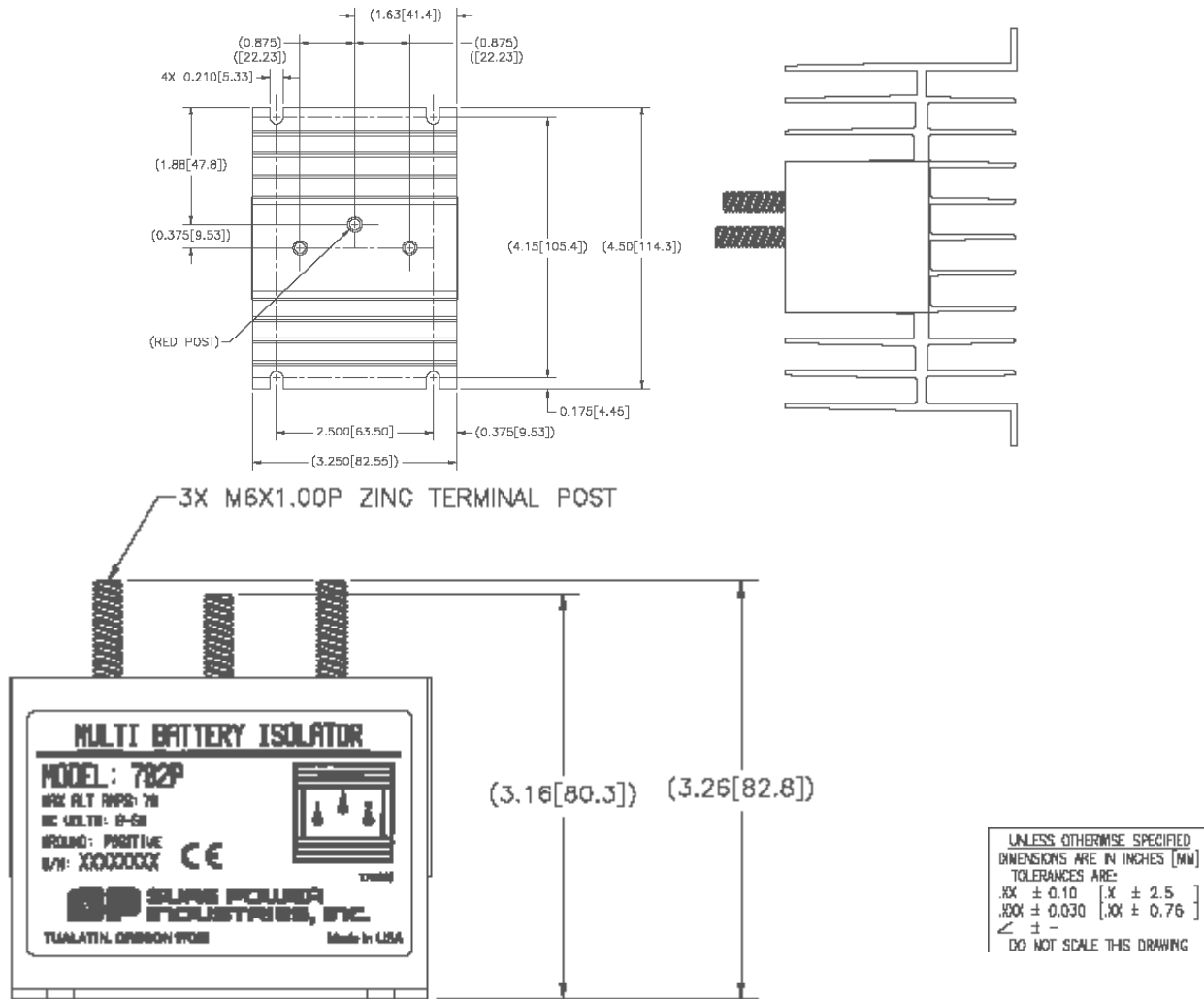
Multi-Battery Isolator



Waytek Stock No.	Sure Power Stock No.	Amps	Number of Studs & Size	Mounting Holes	Dimensions
80089	702P	70	3 studs at 6mm	8 holes at .21"	3.25Lx4.5Wx3.26H

Features:

- 6-50 Volts DC
- 249.8F (121 °C) to -40 °F (-40°C) Ambient
- 500V 60 HZ AC MIN
- **Positive Ground Type**
- Finish: Blue anodized
- Mounting hardware included



UNCONTROLLED DOCUMENT
 All information is provided by manufacturer.
 Updated 8/16/2010

Note:
 Instructions are different than Negative Ground.

www.waytekwire.com
 Phone | 800.328.2724 | 952.949.0765
 Fax | 800.858.0319 | 952.949.0965