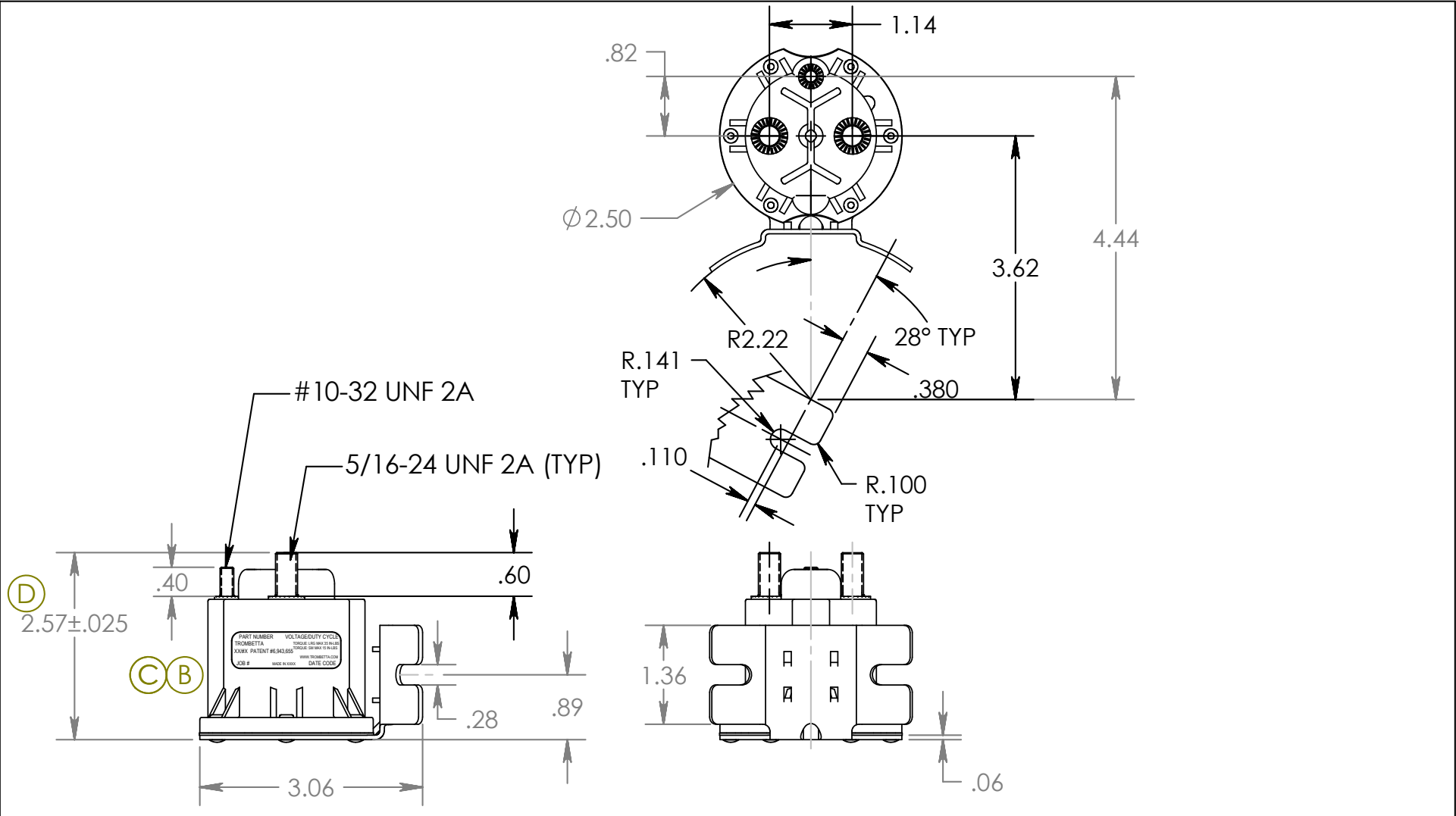



THIS DRAWING IS PROPRIETARY AND CONFIDENTIAL PROPERTY OF TROMBETTA AND IS LOANED IN CONFIDENCE WITH THE UNDERSTANDING THAT IT WILL BE KEPT CONFIDENTIAL AND USED ONLY FOR THE PURPOSE FOR WHICH IT IS LOANED.



MATERIAL
FINISH
UNLESS OTHERWISE SPECIFIED .XXX +/- .005 .XX +/- .01 ANG. +/- 1° BREAK ALL EDGES .005-.015 125 FINISH FILLETS .010-.020 RAD.

Trombetta 
 MOTION TECHNOLOGIES

634-XX11 SERIES
 DIMENSIONAL ASSEMBLY

DRAWN TM	SCALE: 1:2	DWG. NO.
APPR. TM	DATE 3/10/04	E08393

D	ADDED TOLERANCE TO HEIGHT DIMENSION	CAG	4771	10/25/06	DAH
C	ADDED PATENT # TO LABEL	CAG	4642	10/18/05	DAH
B	ADD LABEL	JG	4552	4/4/05	DAH
A	RELEASE	TM	4391	3/10/04	TM
REV.	DESCRIPTION	BY	ECN	DATE	APP.