

UNITY® LED Post-Mount Spotlight

Part Nos.: 335 Series Chrome
335-0002 Series Black

**A BRIGHT IDEA...
FOR ANY VEHICLE!™**

- Utilities
- Wreckers
- Construction
- Industrial
- Public Works
- Police, Fire, and Ambulance
- Agriculture
- Recreation
- Heavy-Duty Trucks
- Railroad
- Marine
- Camping/RV
- Farming

Visit us at

www.unityusa.com

Information available on:

- The company
- Products
- Replacement parts
- Mounting templates
- Installation instructions
- Distributor Search
- Application Search



Unity Manufacturing has provided top quality emergency and auxiliary lighting products since 1918. UNITY® LED Post-Mount Spotlights come in a rugged, high-impact PC/ABS Chrome or Black housing to provide unmatched performance, reliability, and durability. The Spotlight utilizes LED technology rated at 215,000 candlepower, 30 watts, and up to 50,000 hours lamp life. UNITY® LED utilizes projector beam optics delivering more light than conventional optics. The light is collimated providing a tightly controlled 4°H x 4°V beam with minimal dispersion which means more useful light for nighttime activities!

The lamp has a sealed, hard-coated, polycarbonate lens that is break resistant, virtually indestructible. The instantly aimable light is easy for anyone to use. Whether you need additional light for traffic stops, to illuminate your work area, to help you find street signs or house numbers, or to follow the path of a broken power line, the UNITY® LED post-mount spotlight is **a bright idea for any vehicle!™**



U-8547 LED 4°H x 4°V Spot Lamp meets SAE J591,
J575, J578 - Emits zero EMI

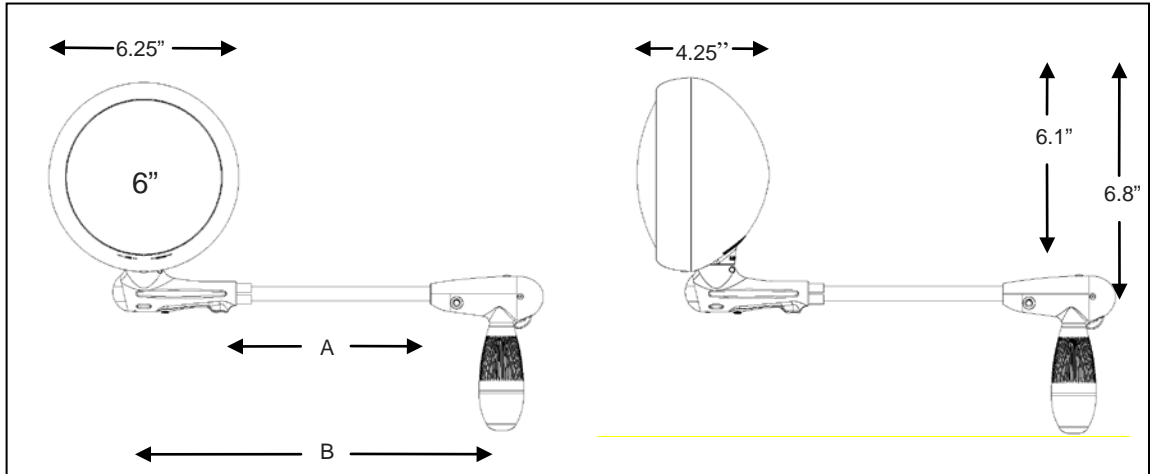


UNITY® LED Post-Mount Spotlight

Part Nos.: 335 Series Chrome

335-0002 Series Black

Dimensions:



Part Numbers: (add suffix – 0002 for black housing i.e.: 335V-0002)

Part #	A	B	Part #	A	B	Part #	A	B
335A	6 ½	12	335FL	17	22 1/2	335O	8	13 ½
335B	4 ¾	10 ¼	335G	14	19 ½	335PL	12	17 ½
335CL	10	15 ½	335GM	9	14 ½	335V	7 ½	13
335DC	10 ½	16	335H	5 7/8	11 3/8			

Dimensions are in inches

Specifications:

FEATURE	SPECIFICATION
Housing Material	6" round high impact PC/ABS plastic
Finish	Black or chrome finish
Lamp/Bulb	LED lamp assembly with sealed, hard-coated polycarbonate lens. 50,000 hours lamp life.
Dimensions	Head: 6.25" W x 6.1" H x 4.25" D
Voltage	12.8 Volts
Amperage / Wattage	2.5 Amps / 30watts
Output	215,000 candlepower with 4°H x 4°V beam pattern
Mounting Bracket	Installation kits are sold separately and fit specific vehicles based upon make, model, and year of the vehicle.
Wiring	36" lead wire

Replacement Parts

- U-5547-0017 Chrome Shell
- U-5547-0019 Black Shell
- U-8173 Chrome Ring
- U-8173-0002 Black Ring
- U-6701-0101 Handle Assy.
- U-8547 LED Lamp Assy.

OTHER UNITY® PRODUCTS

THE BEAM®

- Post-Mount Spotlights
- Rooflights
- Decklights

UNITY®HID

- Post-Mount Spotlight

NITE-EYES™

- Foglights
- Passing Lights
- Driving Lights
- Off-Road Lights
- Worklights

UNILITE™

- Hand-Held Spotlight

UNIBEACON™

- Rotating Warning Lights

EYE BEAM™

- Spotlight and Officer Warning System

Unity Manufacturing Co. • 1260 N. Clybourn Ave. • Chicago, IL 60610
 Phone: 312-943-5200 • Fax: 312-943-5681 • E-mail: info@unityusa.com

Form: 143-SLED 05/12

